

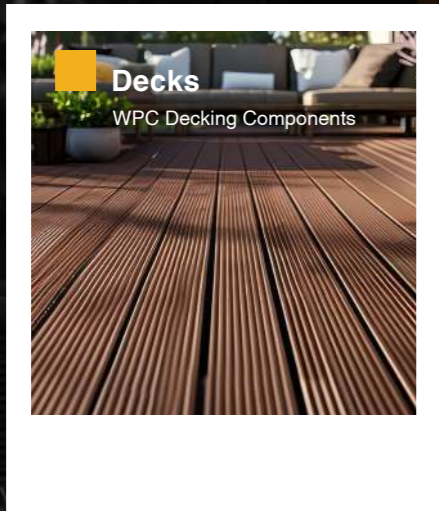
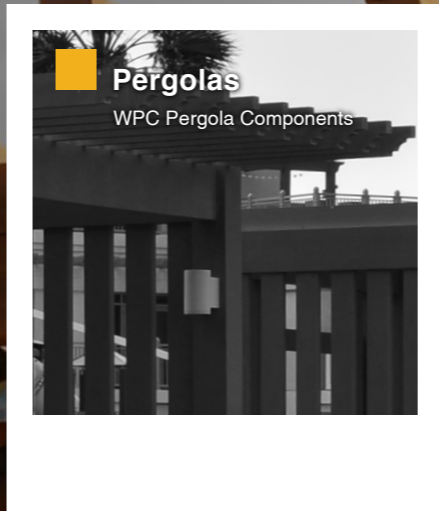
VERDA
BY BERGO®

Products Catalogue.

BRAND CATALOGUE 2026.01

GCC Edition

BERGO®



INTRODUCING BERGO VERDA

4 Years • 5 Countries

WHO WE ARE

BERGO PRO UK Limited is a British company specialising in building materials, with regional headquarters, BERGO PRO Building Materials Trading LLC, located in Dubai Industrial City (DIC), UAE.

A key player in the Gulf Cooperation Council (GCC) region, **BERGO PRO** is dedicated to delivering innovative B2B solutions tailored specifically to the needs of the furniture manufacturing, flooring and WPC markets including the **UAE, Qatar, Oman, Saudi Arabia, and Bahrain.**

MISSION & VISION

What sets BERGO PRO apart is our commitment to a demand-driven business model that focuses on initiative-taking research and development (R&D). This approach allows us to continuously introduce innovative products that grant our customers a competitive edge.

Moreover, our clearly defined strategy prioritises market-oriented solutions over conventional manufacturing methods, enabling us to address the specific architectural and furniture requirements of the GCC region.

Operating from our headquarters in Dubai, BERGO PRO manages dedicated teams across the GCC to ensure seamless service delivery. As we aim to expand our footprint into other Middle Eastern and North African (MENA) markets, we are actively seeking manufacturing partners and distributors to complement our existing relationships with direct customers.

Our vigilant monitoring of industry trends and emerging technologies ensures that we remain at the forefront of innovation, thus driving commercial success for all stakeholders involved.

The GCC represents a wealth of opportunities, and we foresee robust growth potential as we reinforce our presence in this dynamic market.

DESIGNED FOR OUTDOOR LIVING

VERDA is BERGO's outdoor living range, comprising decking and pergola systems developed for external environments. It applies the same system-based thinking used indoors to outdoor spaces, focusing on durability, consistency, and long-term use.

What VERDA Does

VERDA defines how outdoor spaces are structured and experienced. It provides coordinated solutions for external living areas without overlapping with BERGO's core furniture fittings systems.

All BERGO subbrands,
together online



Explore our complete collection on our website at www.bergopro.com

Regional Offices:
Warehouse L12, Phase 1, Dubai Industrial City, Dubai, UAE
☎ +971 4 564 2460 (landline) / 📞 +971 56 539 2001 (Mobile)
info@bergopro.com
www.bergopro.com

For International Enquiries:
info@bergopro.co.uk
www.bergopro.co.uk

Table of Contents

| | |
|--|-----------|
| Decks | 07 |
| WPC Decking Kit | 09 |
| WPC Decking Components-Profile Section of Hollow Decking Board | 10 |
| WPC Decking Components-Profile Section of Decking Joist Support | 11 |
| WPC Decking Components-Profile Section of Solid Skirting Decking Board | 12 |
| WPC Decking Components-Profile Section of Solid Decking Board | 13 |
| Pergolas | 15 |
| WPC Pergola Components Profile Section of Hollow Support Beam | 17 |
| WPC Pergola Components-Profile Section of Hollow Column | 18 |
| WPC Pergola Components Profile Section of Hollow Column - Grooved | 19 |
| WPC Pergola Components-Profile Section of End Caps | 20 |
| WPC Pergola Components-Profile Section of End Caps | 21 |
| WPC Pergola Components-Profile Section of Hollow Overhead Slat | 22 |
| WPC Pergola Components Profile Section of Hollow Overhead Slat - Grooved | 23 |
| WPC Pergola Components-Profile Section of Solid Box - Square | 24 |
| WPC Pergola Components-Profile Section of Solid Box - Rectangle | 25 |

Decks

| | |
|----|--|
| 09 | WPC Decking Kit |
| 10 | WPC Decking Components-Profile Section of Hollow Decking Board |
| 11 | WPC Decking Components-Profile Section of Decking Joist Support |
| 12 | WPC Decking Components-Profile Section of Solid Skirting Decking Board |
| 13 | WPC Decking Components-Profile Section of Solid Decking Board |



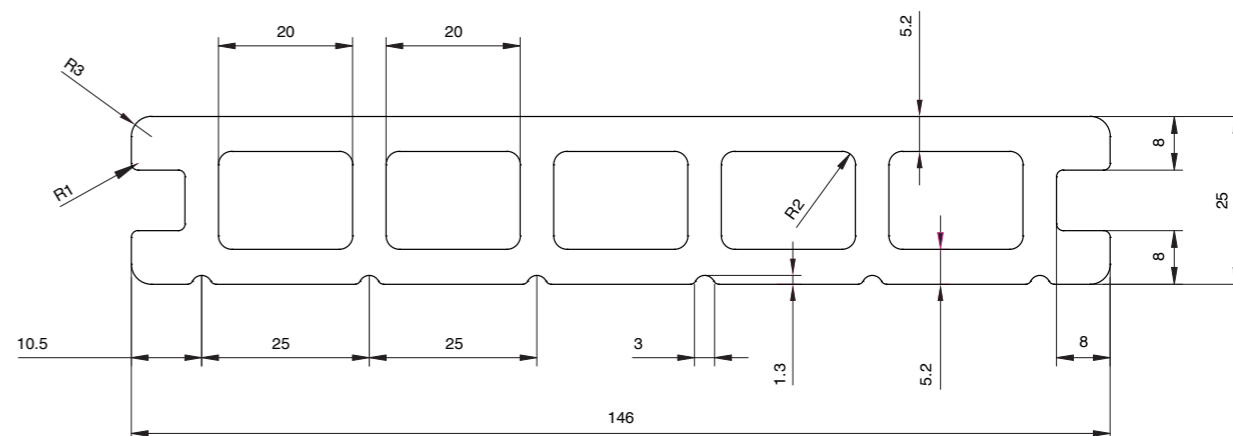
| Item | Finish/Colour | Material | Cat. No. |
|---------------|---------------|----------|-------------------|
| Mounting clip | Black | Plastic | BG-WPC.05.D040.MC |



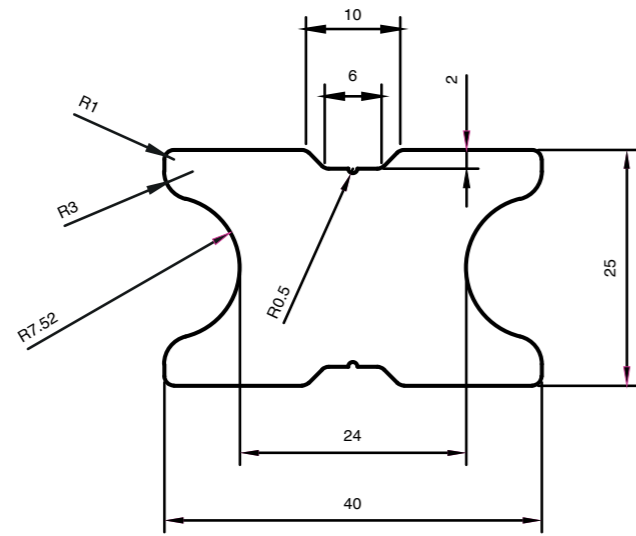
| Item | Finish/Colour | Material | Cat. No. |
|-----------------|-----------------|-----------------|-------------------|
| Start/Stop clip | Stainless steel | Stainless steel | BG-WPC.05.D080.SS |



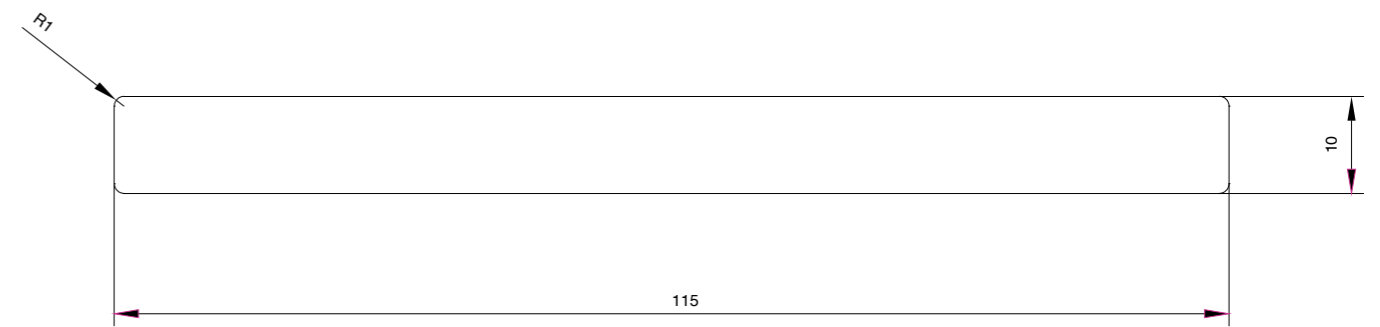
| Item | Finish/Colour | Material | Cat. No. |
|-------|---------------|-----------------|-------------------|
| Screw | Black painted | Stainless steel | BG-WPC.05.D040.SC |



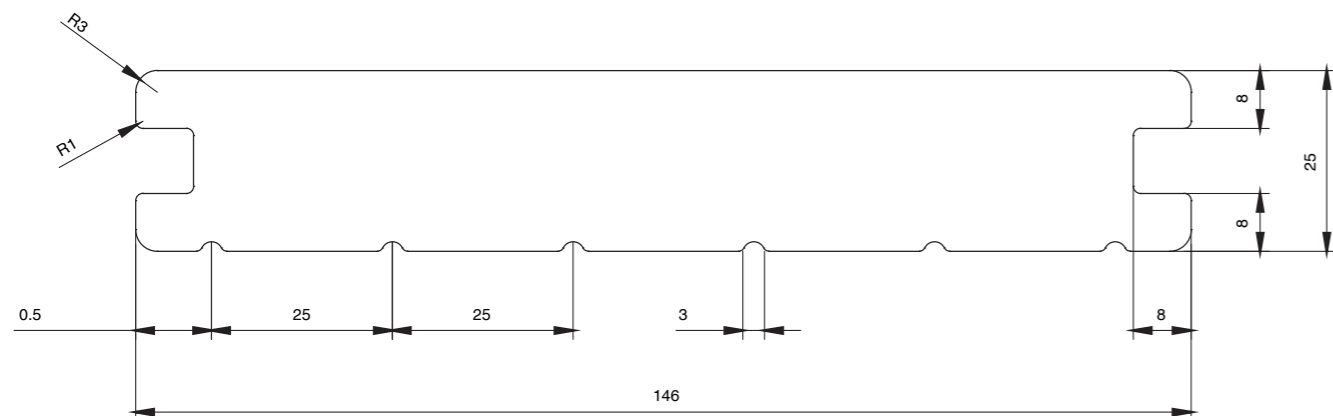
| | |
|-----------------------|---|
| Description: | BG-WPC.05.HD231/241.146: Hollow decking board, 6 grooves on one side, plain flat sanded on the other side BG-WPC.05.HD232/242.146: 3D Embossed hollow decking board, 6 grooves on one side, deep woodgrain on the other side |
| Colour/Finish: | BG-WPC.05.HD231/232.146: Dark teak BG-WPC.05.HD241/242.146: Dark walnut |
| Size: | 146 x 25 x 3660 mm |
| Weight: | 2.75 kg/m |
| Width: | 146 mm |
| Thickness: | 25 mm |
| Length: | 3660 mm |
| Area: | 2037.04 mm ² (solid area of cross section) |



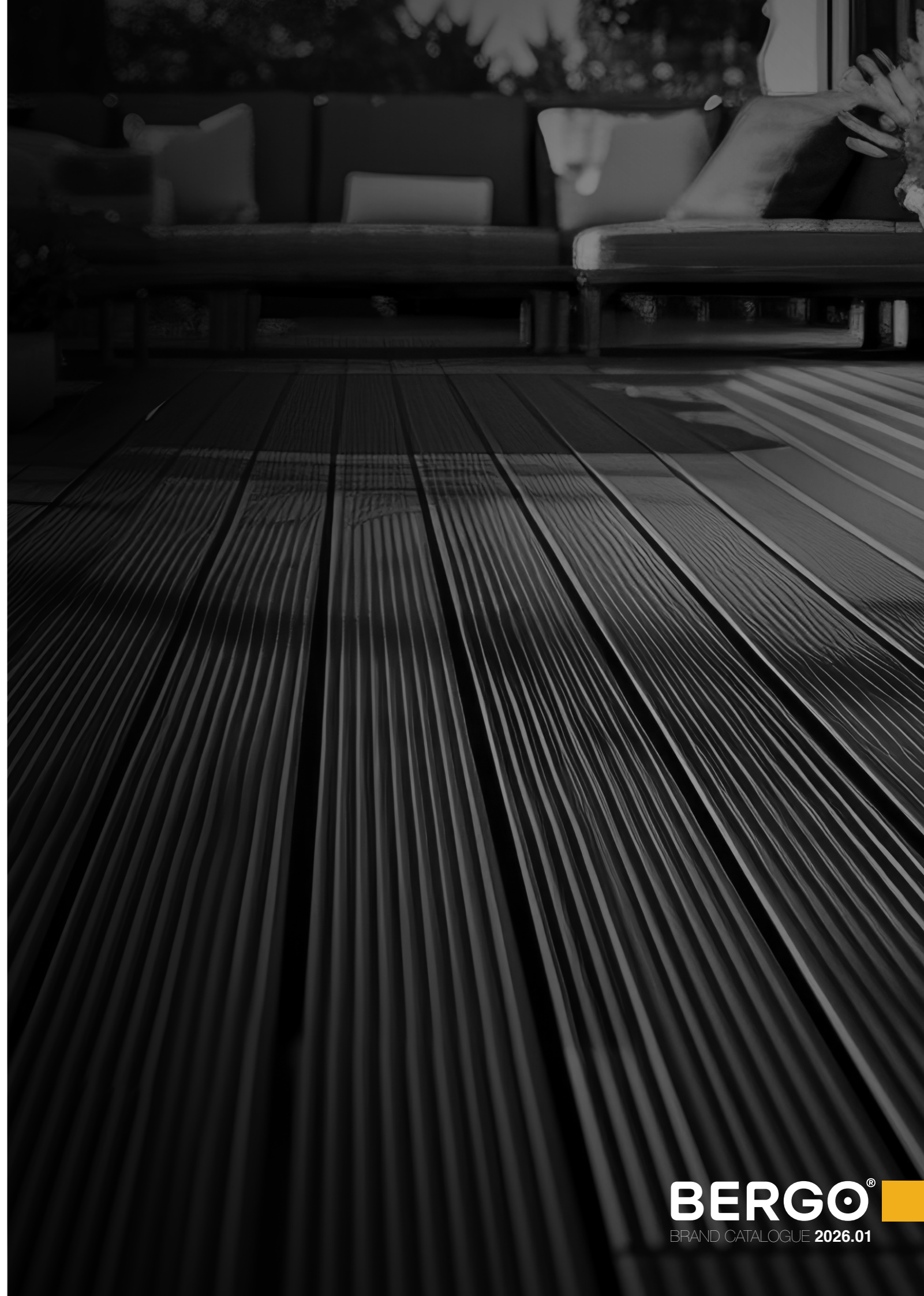
| | |
|-----------------------|---|
| Colour/Finish: | BC-WPC.05.SD040.J40: Black |
| Size: | 40 x 25 x 2800 mm |
| Weight: | 1.04 kg/m |
| Width: | 40 mm |
| Thickness: | 25 mm |
| Length: | 2800 mm |
| Area: | 769 mm ² (solid area of cross section) |



| | |
|-----------------------|--|
| Description: | Solid skirting decking board, plain flat sanded on both sides |
| Colour/Finish: | BG-WPC.05.SD230.115: Dark teak BG-WPC.05.SD240.115: Dark walnut |
| Size: | 115 x 10 x 3660 mm |
| Weight: | 1.55 kg/m |
| Width: | 115 mm |
| Thickness: | 10 mm |
| Length: | 3660 mm |
| Area: | 1149.14 mm ² (solid area of cross section) |

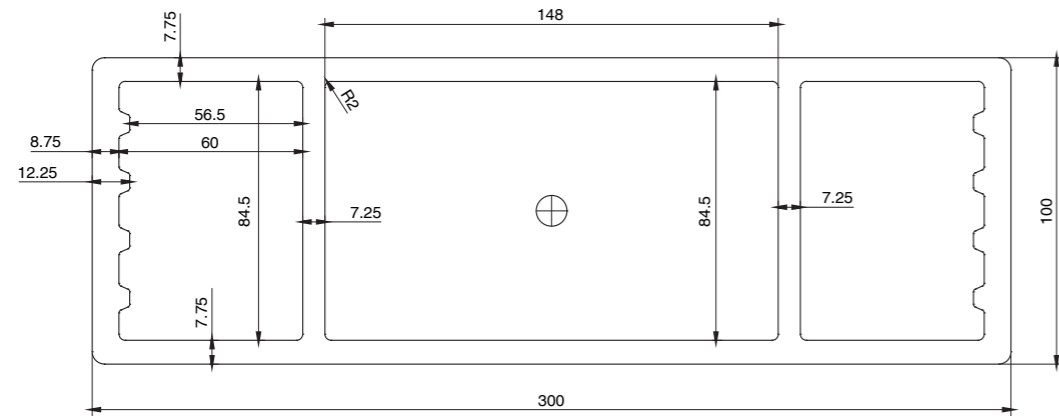


| | |
|-----------------------|---|
| Description: | BG-WPC.05.SD231/241.146: Solid decking board, 6 grooves on one side, plain flat sanded on the other side BG-WPC.05.SD232/242.146: 3D Embossed solid decking board, 6 grooves on one side, deep woodgrain on the other side |
| Colour/Finish: | BG-WPC.05.SD231/232.146: Dark teak BG-WPC.05.SD241/242.146: Dark walnut |
| Size: | 146 x 25 x 3660 mm |
| Weight: | 4.7 kg/m |
| Width: | 146 mm |
| Thickness: | 25 mm |
| Length: | 3660 mm |
| Area: | 3479.88 mm ² (solid area of cross section) |

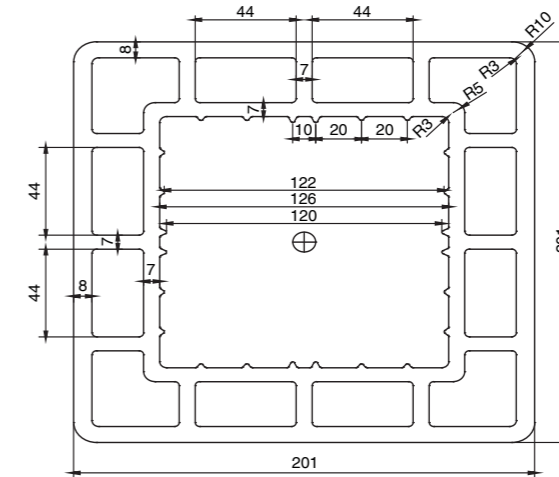


Pergolas

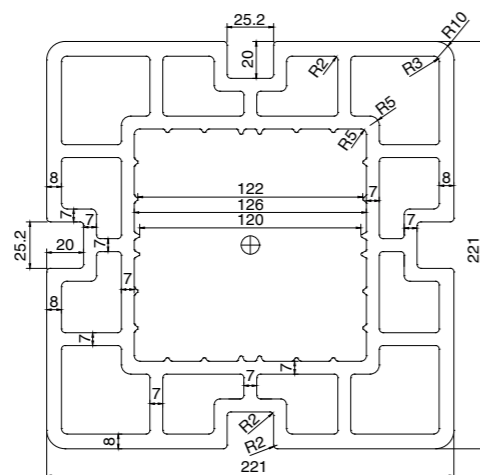
- 17 [WPC Pergola Components Profile Section of Hollow Support Beam](#)
- 18 [WPC Pergola Components-Profile Section of Hollow Column](#)
- 19 [WPC Pergola Components-Profile Section of Hollow Column - Grooved](#)
- 20 [WPC Pergola Components-Profile Section of End Caps](#)
- 21 [WPC Pergola Components-Profile Section of End Caps](#)
- 22 [WPC Pergola Components-Profile Section of Hollow Overhead Slat](#)
- 23 [WPC Pergola Components Profile Section of Hollow Overhead Slat - Grooved](#)
- 24 [WPC Pergola Components-Profile Section of Solid Box - Square](#)
- 25 [WPC Pergola Components-Profile Section of Solid Box - Rectangle](#)



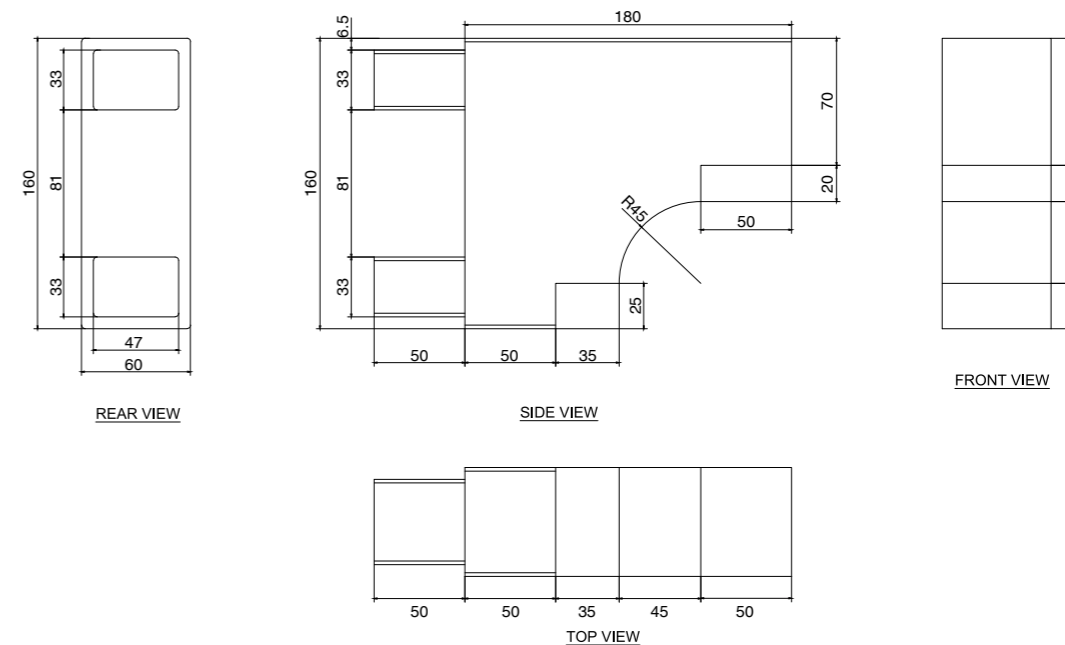
| | |
|-----------------------|--|
| Description: | Hollow pergola support beam, plain sanded on both sides |
| Colour/Finish: | BG-WPC.05.HPB230.300: Dark teak BG-WPC.05.HPB240.300: Dark walnut |
| Size: | 300 x 100 x 4500 mm |
| Weight: | 10.18 kg/m |
| Width: | 300 mm |
| Thickness: | 100 mm |
| Length: | 4500 mm |
| Area: | 7542.10 mm ² (solid area of Cross Section) |



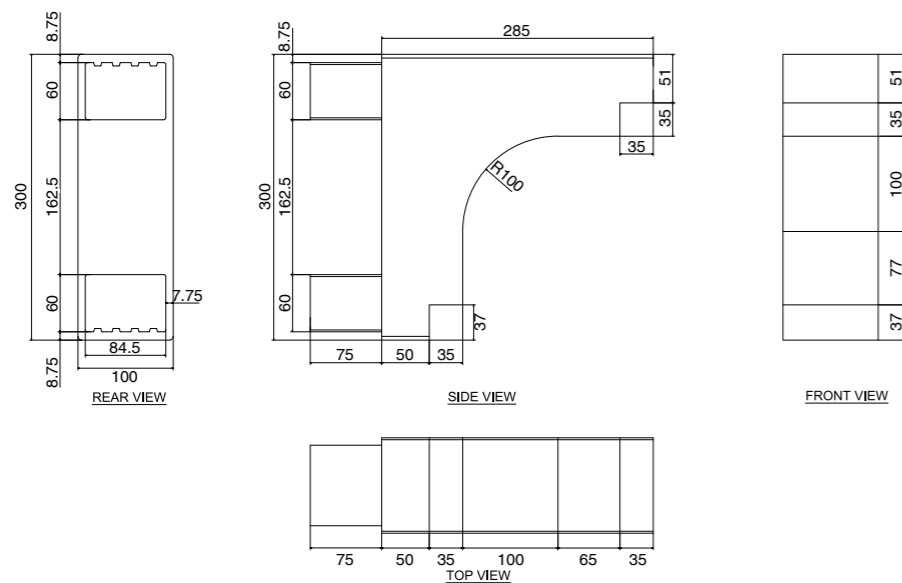
| | |
|-----------------------|--|
| Description: | Hollow pergola column, plain sanded on both sides |
| Colour/Finish: | BG-WPC.05.HPC230.200: Dark teak BG-WPC.05.HPC240.200: Dark walnut |
| Size: | 200 x 200 x 3000 mm |
| Weight: | 16.03 kg/m |
| Width: | 200 mm |
| Thickness: | 200 mm |
| Length: | 3000 mm |
| Area: | 11875.41 mm ² (solid area of cross section) |



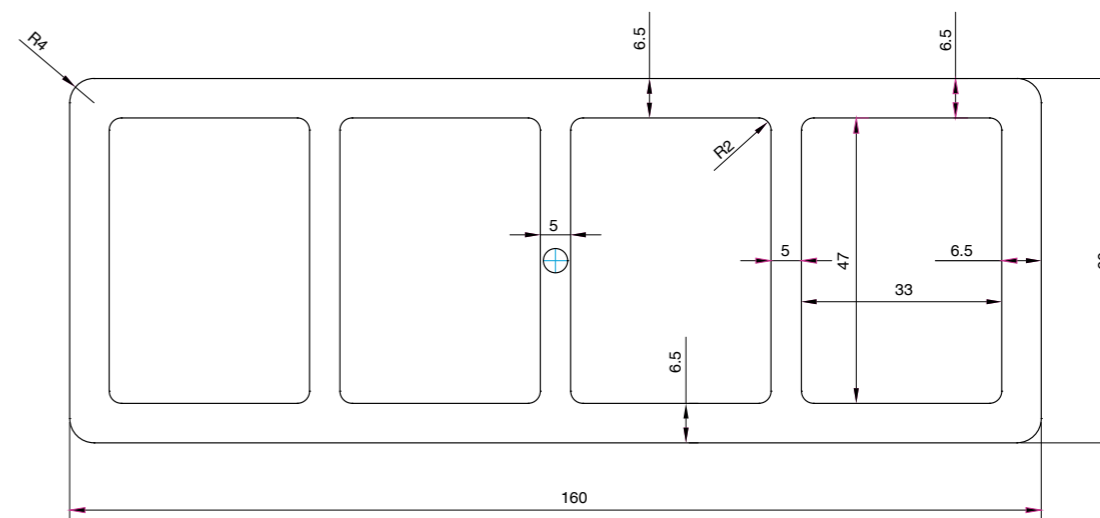
| | |
|-----------------------|--|
| Description: | Hollow pergola column, plain sanded with 25 x 20 mm grooves |
| Colour/Finish: | BG-WPC.05.HPC231.220: Dark teak BG-WPC.05.HPC241.220: Dark walnut |
| Size: | 220 x 220 x 3000 mm |
| Weight: | 18.61 kg/m |
| Width: | 220 mm |
| Thickness: | 220 mm |
| Length: | 3000 mm |
| Area: | 13785.54 mm ² (solid area of cross section) |



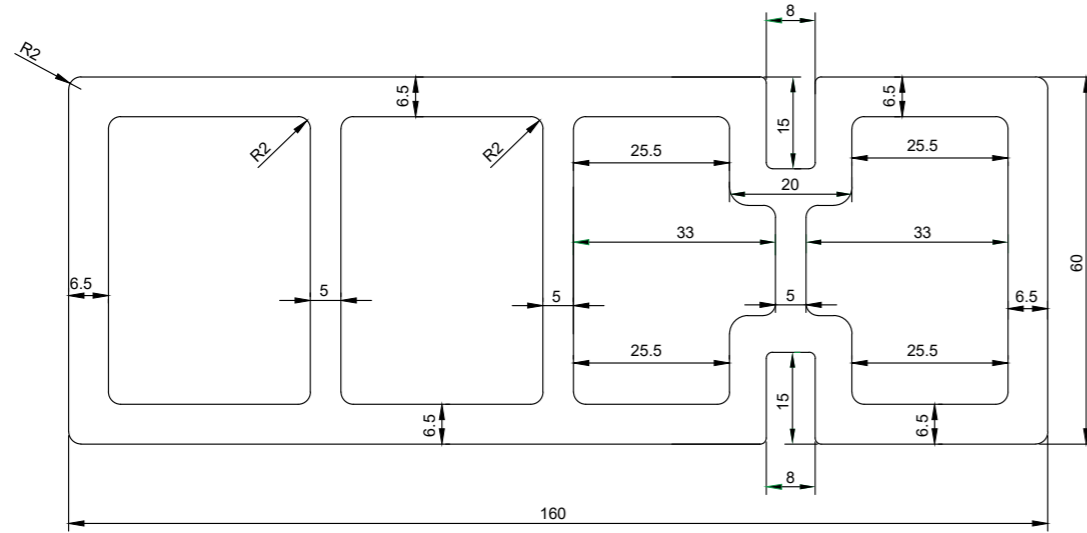
| | |
|-----------------------|--|
| Description: | Decorative end caps, plain sanded on both sides |
| Colour/Finish: | BG-WPC.05.HPE230.160: Dark teak BG-WPC.05.HPE240.160: Dark walnut |
| Size: | 160 x 60 x 180 mm |
| Weight: | 2 kg/m /pc |
| Width: | 160 mm |
| Thickness: | 60 mm |
| Length: | 180 mm |



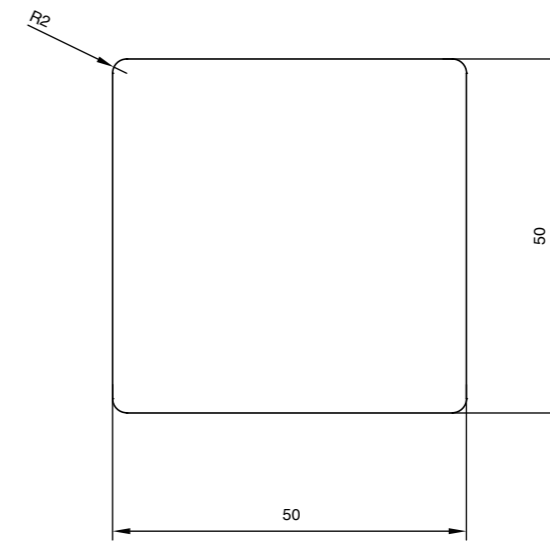
| | |
|-----------------------|--|
| Description: | Decorative end caps, plain sanded on both sides |
| Colour/Finish: | BG-WPC.05.HPE230.300: Dark teak BG-WPC.05.HPE240.300: Dark walnut |
| Size: | 300 x 100 x 280 mm |
| Weight: | 5.7 kg/m /pc |
| Width: | 300 mm |
| Thickness: | 100 mm |
| Length: | 280 mm |



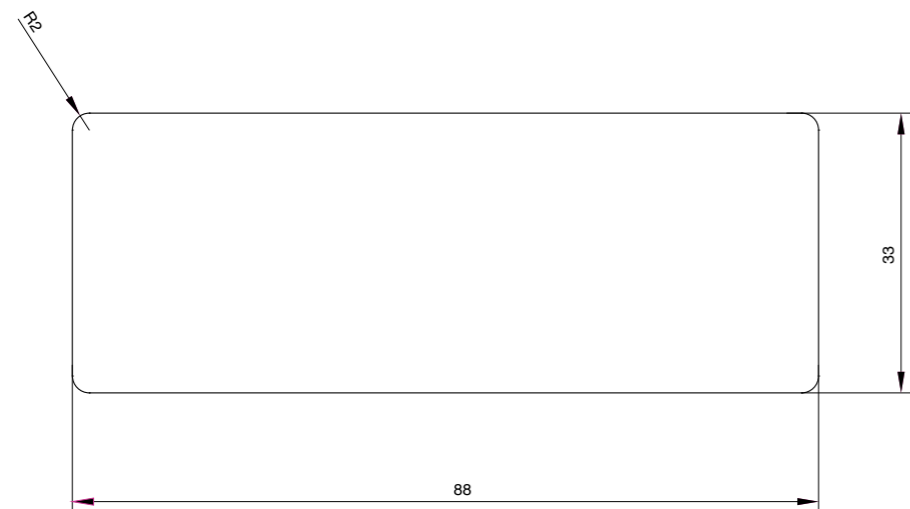
| | |
|-----------------------|--|
| Description: | Hollow pergola overhead slat, plain sanded on both sides |
| Colour/Finish: | BG-WPC.05.HPS230.160: Dark teak BG-WPC.05.HPS240.160: Dark walnut |
| Size: | 160 x 60 x 4500 mm |
| Weight: | 4.58 kg/m |
| Width: | 160 mm |
| Thickness: | 60 mm |
| Length: | 4500 mm |
| Area: | 3396 mm ² (solid area of cross section) |



| | |
|-----------------------|--|
| Description: | Hollow pergola overhead slat, plain sanded with 8 x 15 mm grooves |
| Colour/Finish: | BG-WPC.05.HPS231.160: Dark teak BG-WPC.05.HPS241.160: Dark walnut |
| Size: | 160 x 60 x 4500 mm |
| Weight: | 4.86 kg/m |
| Width: | 160 mm |
| Thickness: | 60 mm |
| Length: | 4500 mm |
| Area: | 3597 mm ² (solid area of cross section) |



| | |
|-----------------------|--|
| Description: | Solid box section - square, plain flat sanded |
| Colour/Finish: | BG-WPC.05.SB230.5050: Dark teak BG-WPC.05.SB240.5050: Dark walnut |
| Size: | 50 x 50 x 4000 mm |
| Weight: | 3.37 kg/m |
| Width: | 50 mm |
| Thickness: | 50 mm |
| Length: | 4000 mm |
| Area: | 2496.57 mm ² (solid area of cross section) |



| | |
|-----------------------|--|
| Description: | Solid box section - rectangular, plain flat sanded |
| Colour/Finish: | BG-WPC.05.SB230.8833: Dark teak BG-WPC.05.SB240.8833: Dark walnut |
| Size: | 88 x 33 x 4000 mm |
| Weight: | 3.92 kg/m |
| Width: | 88 mm |
| Thickness: | 33 mm |
| Length: | 4000 mm |
| Area: | 2900.57 mm ² (solid area of cross section) |



Designed
for Outdoor Living
with **Verda**

Get in touch **with us.**

Regional Offices:

Warehouse L12, Phase 1, Dubai Industrial City, Dubai, UAE
☎ +971 4 564 2460 (landline) / 📞 +971 56 539 2001 (Mobile)
info@bergopro.com
www.bergopro.com

For International Enquiries:

info@bergopro.co.uk
www.bergopro.co.uk

Photographs and images in the catalogue
will differ slightly from the actual items.

**For exact colours, grains, and textures,
kindly contact us for samples.**

BERGO® 