
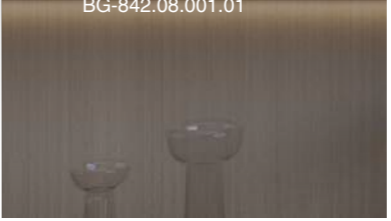



Products Catalogue.

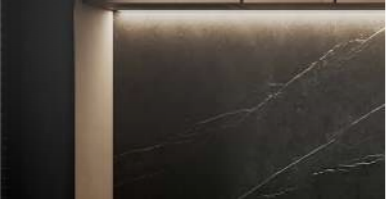
BRAND CATALOGUE 2026.01

GCC Edition

 **LEDs & Extensions**
LED STRIP
COB
BG-842.08.001.01



 **LEDs & Extensions**
LED STRIP
BG-841.08.001.01



INTRODUCING BERGO SOLAS

4 Years • 5 Countries

All BERGO subbrands,
together online

WHO WE ARE

BERGO PRO UK Limited is a British company specialising in building materials, with regional headquarters, BERGO PRO Building Materials Trading LLC, located in Dubai Industrial City (DIC), UAE.

A key player in the Gulf Cooperation Council (GCC) region, **BERGO PRO** is dedicated to delivering innovative B2B solutions tailored specifically to the needs of the furniture manufacturing, flooring and WPC markets including the **UAE, Qatar, Oman, Saudi Arabia, and Bahrain.**

MISSION & VISION

What sets BERGO PRO apart is our commitment to a demand-driven business model that focuses on initiative-taking research and development (R&D).

This approach allows us to continuously introduce innovative products that grant our customers a competitive edge.

Moreover, our clearly defined strategy prioritises market-oriented solutions over conventional manufacturing methods, enabling us to address the specific architectural and furniture requirements of the GCC region.

Operating from our headquarters in Dubai, BERGO PRO manages dedicated teams across the GCC to ensure seamless service delivery. As we aim to expand our footprint into other Middle Eastern and North African (MENA) markets, we are actively seeking manufacturing partners and distributors to complement our existing relationships with direct customers.

Our vigilant monitoring of industry trends and emerging technologies ensures that we remain at the forefront of innovation, thus driving commercial success for all stakeholders involved.

The GCC represents a wealth of opportunities, and we foresee robust growth potential as we reinforce our presence in this dynamic market.

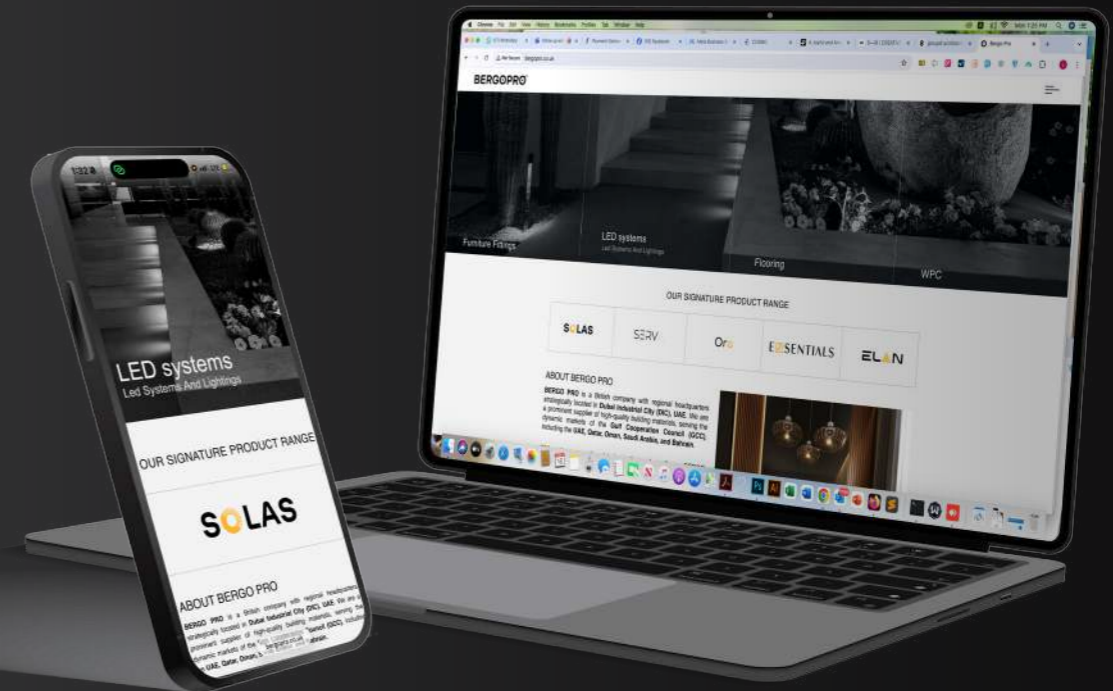
ILLUMINATE YOUR LIFE

SOLAS is BERGO's integrated furniture lighting range, designed to deliver functional and discreet illumination within furniture. It enhances usability while maintaining visual restraint across wardrobes, kitchens, and interior furniture.

Lighting within SOLAS is treated as an integral system component, not an afterthought.

What SOLAS Does

SOLAS defines the illumination layer of furniture systems. It improves visibility and usability without altering furniture structure, movement, or storage logic.



Explore our complete collection
on our website at www.bergopro.com

Regional Offices:
Warehouse L12, Phase 1, Dubai Industrial City, Dubai, UAE
☎ +971 4 564 2460 (landline) / 📞 +971 56 539 2001 (Mobile)
info@bergopro.com
www.bergopro.com

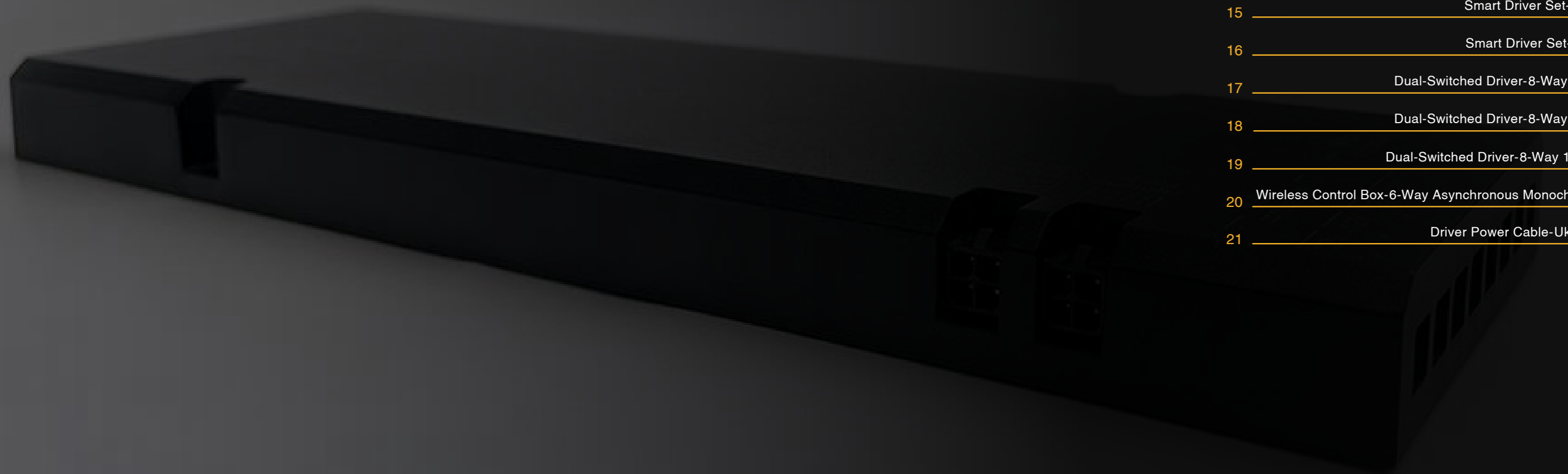
For International Enquiries:
info@bergopro.co.uk
www.bergopro.co.uk

Table of Contents

Drivers	07
Direct Driver-4-Way 20 W	09
Smart Driver-60 W	10
Switched Driver-6-Way 40 W	11
Switched Driver-6-Way 60 W	12
Switched Driver-6-Way 90 W	13
Switched Driver-4-Way 20 W	14
Smart Driver Set-60 W	15
Smart Driver Set-60 W	16
Dual-Switched Driver-8-Way 40 W	17
Dual-Switched Driver-8-Way 60 W	18
Dual-Switched Driver-8-Way100 W	19
Wireless Control Box-6-Way Asynchronous Monochrome	20
Driver Power Cable-Uk Plug	21
Spotlight & Light Bars	23
LED Spotlight-Surface Mounted Square	25
LED Spotlight-Surface Mounted Round	26
Alu Light Bar-Recessed	27
Drawer Alu Light-IR	28
Profile Lights	29
Alu Profile-Anti-Glare	31
Alu Profile-Flat	32
Frameless Alu Profile-Flat	33
Sensors / Switches / Distributors	35
Wired IR Switch-Double-Door	37
Wired Touch Switch-Dimmable	38
Wired Touch Switch-Non-Dimmable	39
Wired IR Switch-Dimmable	40
Wired PIR Sensor	41
Wireless IR Sensor-Top Gesture	42
Wireless IR Sensor-Dual-Door	43
Wireless Touch Sensor-Dimmable	44
Wireless IR Sensor-Front Gesture	45
Wired IR In-Line Switch-Double-Door	46
Distribution Box-6-Way	47

LEDs & Extensions	49
LED Strip	51
LED Strip-COB	52
LED Strip	53
LED Strip-COB	54
LED Strip	55
Extension Lead-Output	56
Fast Connector Lead-5 mm	57
Fast Connector Lead-8 mm	58
Fast Connector Lead-8 mm	59
Inter-Strip Connector Lead-5 x 50 mm	60
Extension Lead-Wired Switch	61
Inter-Strip Connector Lead-8 x 50 mm	62
Inter-Profile Connector-5 x 15 mm	63
Exposed Switch Housing	64

Drivers



- 09 Direct Driver-4-Way 20 W
- 10 Smart Driver-60 W
- 11 Switched Driver-6-Way 40 W
- 12 Switched Driver-6-Way 60 W
- 13 Switched Driver-6-Way 90 W
- 14 Switched Driver-4-Way 20 W
- 15 Smart Driver Set-60 W
- 16 Smart Driver Set-60 W
- 17 Dual-Switched Driver-8-Way 40 W
- 18 Dual-Switched Driver-8-Way 60 W
- 19 Dual-Switched Driver-8-Way 100 W
- 20 Wireless Control Box-6-Way Asynchronous Monochrome
- 21 Driver Power Cable-Uk Plug

SOLAS 4-way non switchable direct driver. An AC/DC isolated power supply specifically designed for 20W flicker-free downlights and other lamps.

Safety

Parameter	Condition	Unit	Parameter value
Safety standard			Meet UL, TUV, GS certification requirement

Environmental conditions

Operating temperature range:	-20° C ~ +40° C
Storage temperature range:	-20° C ~ +70° C
Operating humidity:	20 ~ 90%

Life cycle

MTBF:	B10 ≥ 20,000 hr
Electrolytic capacitor:	30,000 hr

Input

Parameter	Condition	Unit	Min	Average	Max
Voltage	Continuous	V _{ac}	200	230	240
Frequency	V _{in} = 200-240 V _{ac}	Hz	50	50	50
Power factor	V _{in} = 200-240 V _{ac} 50/60 Hz V _o = 12 V I _o = 1.67 A		0.4		
Current	V _{in} = 200 V _{ac} / 60 Hz V _o = 12 V I _o = 1.67 A	mA	260		
Power	V _{in} = 200-240 V _{ac}	W	25		

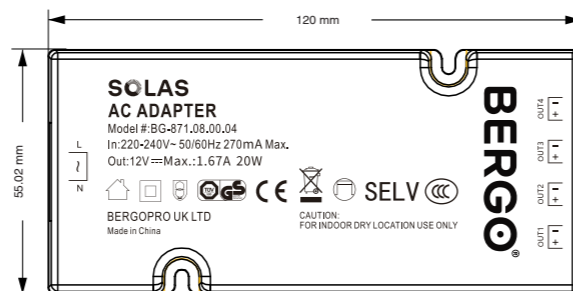
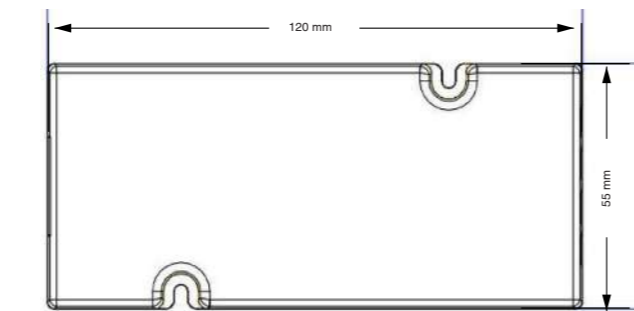
Output

Parameter	Condition	Unit	Min	Average	Max
Voltage	V _{in} = 200-240 V _{ac} 12 V / 1.6 A	V _{dc}	11.4	12	12.6
Current	V _{in} = 200-240 V _{ac}	mA	1670	1670	1670
Voltage variation	V _{in} = 200-240 V _{ac}	%	-5%		+5%
Power	V _{in} = 200-240 V _{ac} I _o = 0 mA	W		<0.3	
Efficiency*	V _{in} = 230 V 12 V / 1670 mA	%		84	

*Environmental temperature of 25° C

Item ID No.

Finish/Colour	Size (WxDxH) mm	Cat. No.
Black	120 x 55 x 16 mm	BG-871.08.00.04



SOLAS smart driver. Introducing a versatile device that enhances your LED system through its programmable wireless control.

Electromagnetic certification

Item	Country	Certified status	Standards
CE	European Union	Accord	EN62368 - 1:2014

Environmental conditions

Storage temperature range:	-30° C ~ +70° C
Storage humidity:	10 ~ 90%



Description

Usage: Control box: 881 required
Wireless sensors: 860/861/862/863 required

Input

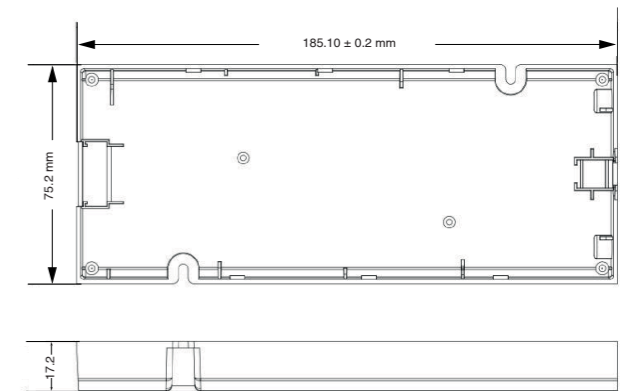
Voltage:	220-240 V _{ac}
Frequency:	50/60 Hz
Current:	800 mA

Output

Parameter	Unit	Min	Average	Max	Remarks
Voltage	V _{dc}	11.4	12	12.6	
Current	A	0		5	
Ripple and noise	mVp-p			200	20 MHz Bandwidth 47uF Ele Cap and 0.1uF Cer. Cap.

Item ID No.

Finish/Colour	Size (WxDxH) mm	Cat. No.
Black	185 x 75 x 17 mm	BG-872.08.02.04



SOLAS switched driver. Versatile 12V LED driver.
A compact, thin design, ideal for kitchen under cabinet lighting and other applications.

Electromagnetic certification

Item	Country	Certified status	Standards
CE	European Union	Accord	EN62368 - 1:2014

Environmental conditions

Storage temperature range:	-30° C ~ +70° C
Storage humidity:	10 ~ 90%



Description

Usage:	Wired switches: 855/856/857/858/859/865 required
--------	---

Input

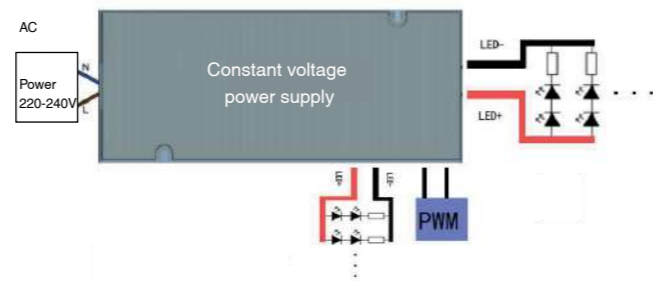
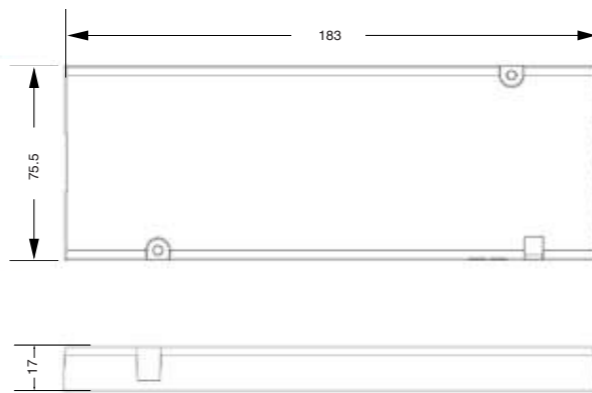
Voltage:	220-240 V _{ac}
Frequency:	50/60 Hz
Current:	500 mA

Output

Parameter	Unit	Min	Average	Max	Remarks
Voltage	V _{oc}	11.4	12	12.6	
Current	A	0		3.34	
Ripple and noise	mVp-p			240	20 MHz Bandwidth 47uF Ele. Cap and 0.1uF Cer. Cap.

Item ID No.

Finish/Colour	Size (WxDxH) mm	Cat. No.
Black	183 x 75 x 17 mm	BG-873.08.01.04



SOLAS switched driver. Versatile 12V LED driver.
A compact, thin design, ideal for kitchen under cabinet lighting and other applications.

Electromagnetic certification

Item	Country	Certified status	Standards
CE	European Union	Accord	EN62368 - 1:2014

Environmental conditions

Storage temperature range:	-30° C ~ +70° C
Storage humidity:	10 ~ 90%



Description

Usage:	Wired switches: 855/856/857/858/859/865 required
--------	---

Input

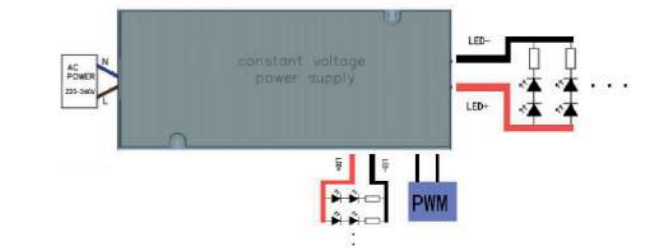
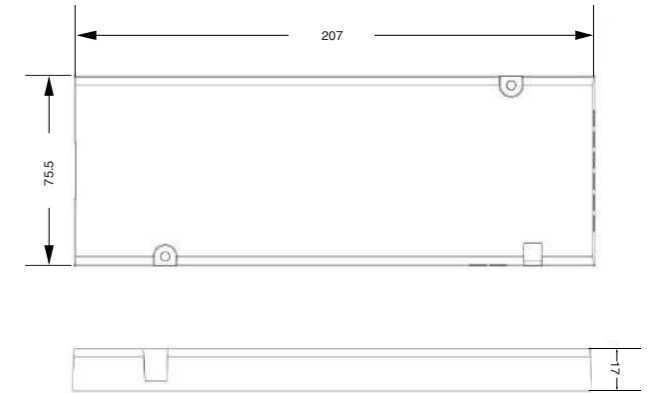
Voltage:	220-240 V _{ac}
Frequency:	50/60 Hz
Current:	800 mA

Output

Parameter	Unit	Min	Average	Max	Remarks
Voltage	V _{oc}	11.4	12	12.6	
Current	A	0		5	
Ripple and noise	mVp-p			200	20 MHz Bandwidth 47uF Ele. Cap and 0.1uF Cer. Cap.

Item ID No.

Finish/Colour	Size (WxDxH) mm	Cat. No.
Black	207 x 76 x 17 mm	BG-873.08.02.04



SOLAS switched driver. Versatile 12V LED driver.
A compact, thin design, ideal for kitchen under cabinet lighting and other applications.



Electromagnetic certification

Item	Country	Certified status	Standards
CE	European Union	Accord	EN62368 - 1:2014

Environmental conditions

Storage temperature range:	-30° C ~ +70° C
Storage humidity:	10 ~ 90%

Description

Usage:	Wired switches 855/856/857/858/859/865 required
--------	--

Input

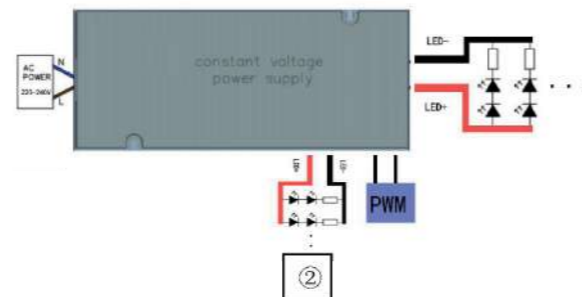
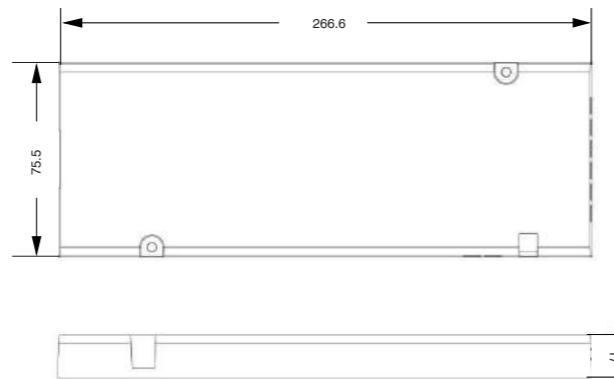
Voltage:	220-240 V _{ac}
Frequency:	50/60 Hz
Current:	1200 mA

Output

Parameter	Unit	Min	Average	Max	Remarks
Voltage	V _{dc}	11.4	12	12.6	
Current	A	0		7.5	
Ripple and noise	mVp-p			240	20 MHz Bandwidth 47uF Ele. Cap and 0.1uF Cer. Cap.

Item ID No.

Finish/Colour	Size (WxDxH): mm	Cat. No.
Black	267 x 76 x 17 mm	BG-873.08.03.04



SOLAS switched driver. Versatile 12V LED driver.
A compact, thin design, ideal for kitchen under cabinet lighting and other applications.



Electromagnetic certification

Item	Country	Certified status	Standards
CE	European Union	Accord	EN61347-1:2015 EN IEC 55015: 2019/A11:2020

Environmental conditions

Storage temperature range:	-30° C ~ +70° C
Storage humidity:	10 ~ 90%

Description

Usage:	Wired switches: 855/856/857/858/859/865 required
--------	---

Input

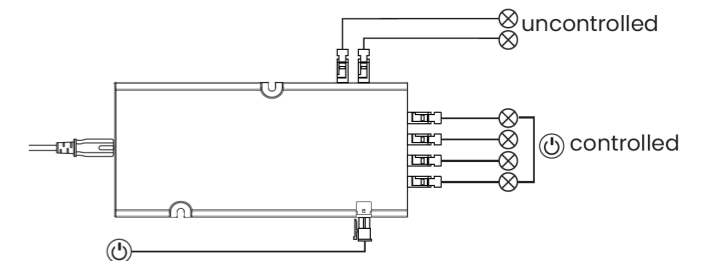
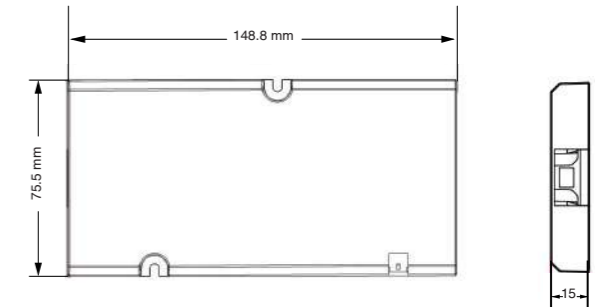
Voltage:	220-240 V _{ac}
Frequency:	50/60 Hz
Current:	150 mA max.
PF:	≥ 0.9

Output

Parameter	Unit	Min	Average	Max	Remarks
Voltage	V _{dc}	11.4	12	12.6	
Current	A	0		1.67	
Ripple and noise	mVp-p			240	20 MHz Bandwidth 47uF Ele. Cap and 0.1uF Cer. Cap.

Item ID No.

Finish/Colour	Size (WxDxH): mm	Cat. No.
Black	149 x 75 x 15 mm	BG-874.08.00.04



The SOLAS smart driver is a highly versatile device engineered to enhance LED systems via programmable wireless control. Featuring a 6-way asynchronous monochrome control box, the unit allows for the individual programming of channels to significantly increase system customisability.



Electromagnetic certification

Item	Country	Certified status	Standards
CE	European Union	Accord	EN62368 - 1:2014

Environmental conditions

Storage temperature range:	-30° C ~ +70° C
Storage humidity:	10 ~ 90%

Description

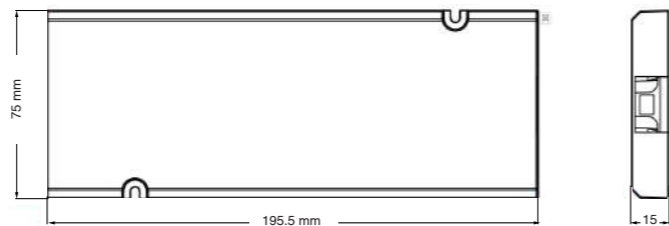
Usage:	Wireless sensors 860/861/862/863 required
---------------	--

Input

Voltage:	220-240 V _{ac}
Frequency:	50/60 Hz
Current:	420 mA max.
PF:	≥ 0.9

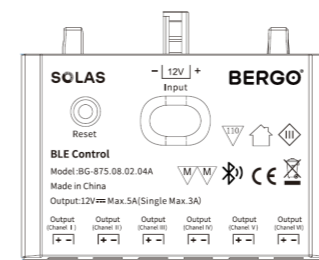
Output

Parameter	Unit	Min	Average	Max	Remarks
Voltage	V _{dc}	11.4	12	12.6	
Current	A	0		5	
Ripple and noise	mVp-p			240	20 MHz Bandwidth 47uF Ele. Cap and 0.1uF Cer. Cap.



Wireless features

Frequency:	ISM 2402-2482 MHz
Crystal frequency:	24 MHz
Modulation:	GFSK
Transmit power:	0 dbm
TIS:	-70 dbm
Emission:	16 mA (0 dbm)



Description

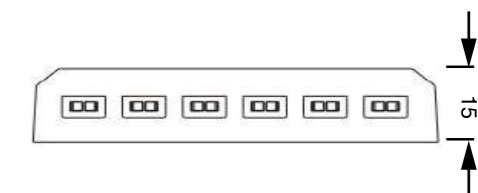
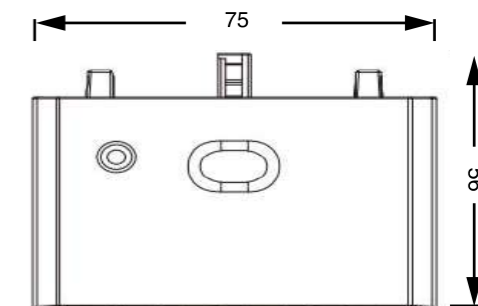
Input voltage:	12/24 V _{dc}
Input/Output variation range:	11.4-12.6V _{dc} /22.8-25.2V _{dc}
Input current:	5 A
PWM frequency:	16 KHz
Minimum brightness:	5% Duty
Soft on/off:	2s +/- 20%
Dimming:	5s +/- 20%

Environmental conditions

Operating temperature range:	-10° C ~ +45° C
Storage temperature range:	-20° C ~ +70° C
Operating humidity:	5 ~ 95%

Item ID No.

Item	Finish/Colour	Size (WxDxH) mm	Cat. No.
Smart Driver	Black	196 x 75 x 15 mm	BG-875.08.02.04A
Asynchronous Control Box		56 x 75 x 15 mm	



SOLAS dual-switched driver. Versatile 12V LED driver.
A compact, thin design, ideal for kitchen under cabinet lighting and other applications.

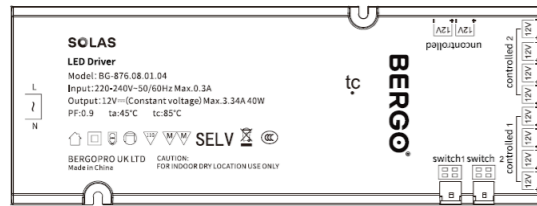
Electromagnetic certification

Item	Country	Certified status	Standards
CE	European Union	Accord	EN61347-1:2015 EN IEC 55015: 2019/A11:2020

Environmental conditions

Storage temperature range: -30° C ~ +70° C

Storage humidity: 10 ~ 90%



Description

Usage: Wired switches:
855/856/857/858/859/865 required

Input

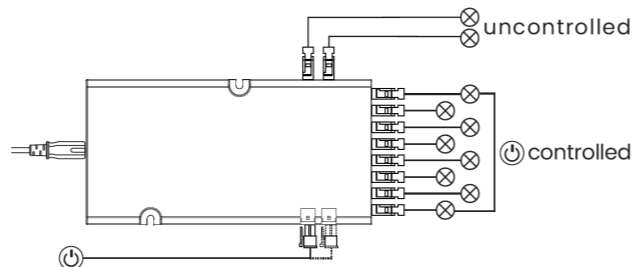
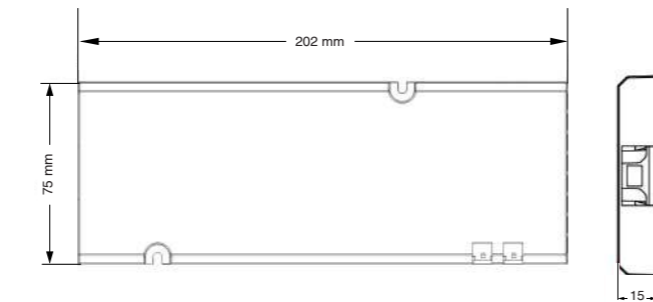
Voltage:	220-240 V _{ac}
Frequency:	50/60 Hz
Current:	300 mA max.
PF:	≥ 0.9

Output

Parameter	Unit	Min	Average	Max	Remarks
Voltage	V _{dc}	11.4	12	12.6	
Current	A	0		3.34	
Ripple and noise	mVp-p			240	20 MHz Bandwidth 47uF Ele. Cap and 0.1uF Cer. Cap.

Item ID No.

Finish/Colour	Size (WxDxH) mm	Cat. No.
Black	202 x 75 x 15 mm	BG-876.08.01.04



SOLAS dual-switched driver. Versatile 12V LED driver.
A compact, thin design, ideal for kitchen under cabinet lighting and other applications.

Electromagnetic certification

Item	Country	Certified status	Standards
CE	European Union	Accord	EN61347-1:2015 EN IEC 55015: 2019/A11:2020

Environmental conditions

Storage temperature range: -30° C ~ +70° C

Storage humidity: 10 ~ 90%



Description

Usage: Wired switches:
855/856/857/858/859/865 required

Input

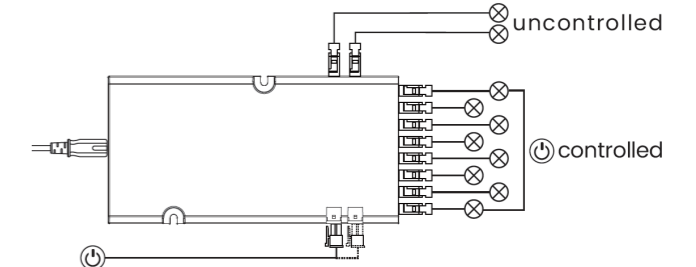
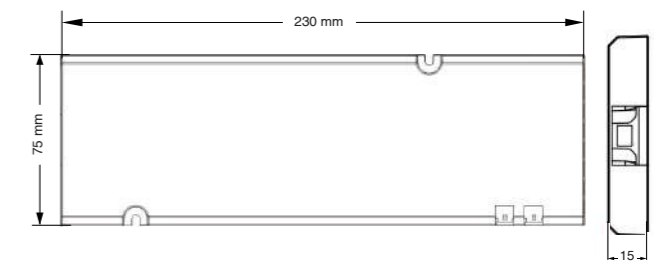
Voltage:	220-240 V _{ac}
Frequency:	50/60 Hz
Current:	420 mA max.
PF:	≥ 0.9

Output

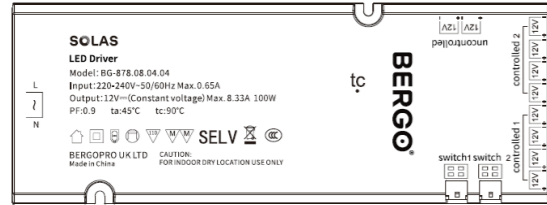
Parameter	Unit	Min	Average	Max	Remarks
Voltage	V _{dc}	11.4	12	12.6	
Current	A	0		5	
Ripple and noise	mVp-p			240	20 MHz Bandwidth 47uF Ele. Cap and 0.1uF Cer. Cap.

Item ID No.

Finish/Colour	Size (WxDxH) mm	Cat. No.
Black	230 x 75 x 15 mm	BG-877.08.02.04



SOLAS dual-switched driver. Versatile 12V LED driver.
A compact, thin design, ideal for kitchen under cabinet lighting and other applications.



Electromagnetic certification

Item	Country	Certified status	Standards
CE	European Union	Accord	EN61347-1:2015 EN IEC 55015: 2019/A11:2020

Environmental conditions

Storage temperature range:	-30° C ~ +70° C
Storage humidity:	10 ~ 90%

Description

Usage: Wired switches:
855/856/857/858/859/865 required

Input

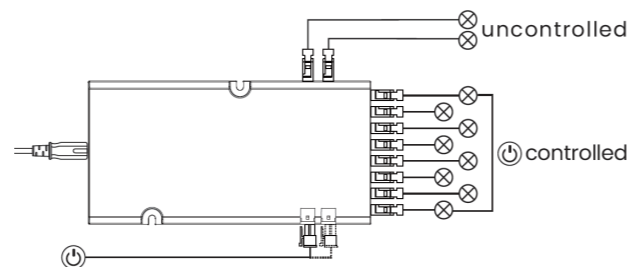
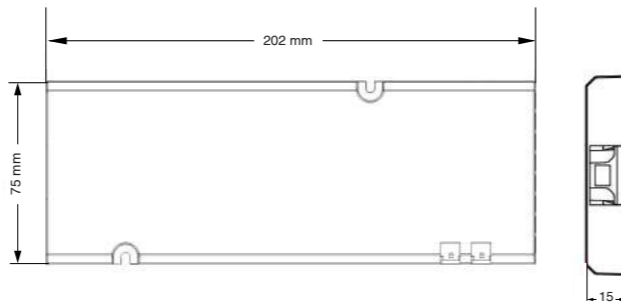
Voltage:	220-240 V _{ac}
Frequency:	50/60 Hz
Current:	650 mA max
PF:	≥ 0.9

Output

Parameter	Unit	Min	Average	Max	Remarks
Voltage	V _{cc}	11.4	12	12.6	
Current	A	0		8.33	
Ripple and noise	mVp-p			240	20 MHz Bandwidth 47uF Ele. Cap and 0.1uF Cer. Cap.

Item ID No.

Finish/Colour	Size (WxDxH) mm	Cat. No.
Black	202 x 75 x 15 mm	BG-878.08.04.04



SOLAS 6-way asynchronous monochrome wireless control box.
Programmable individual channels enhancing the customizability of your LED system.



Wireless features

Frequency:	ISM 2402-2482 MHz
Crystal frequency:	24 MHz
Modulation:	GFSK
Transmit power:	0 dbm
TIS:	-70 dbm
Emission:	16 mA (0 dbm)

Description

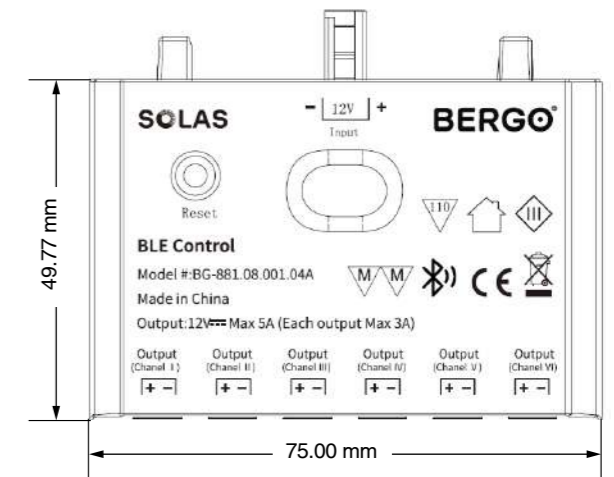
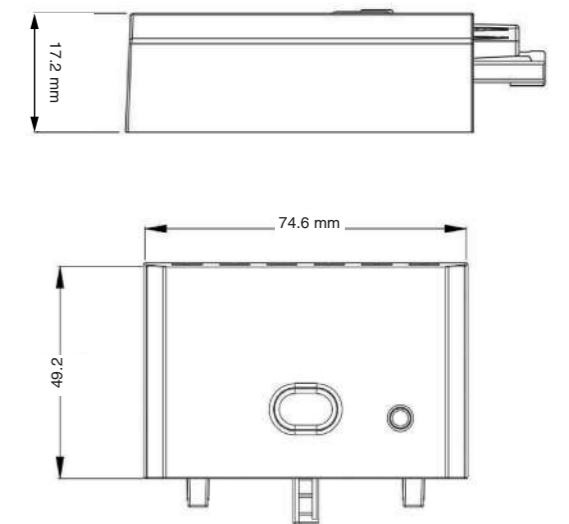
Input voltage:	12/24 V _{cc}
Input/Output variation range:	11.4/25.2 V _{cc}
Input current:	5 A
PWM frequency:	1 KHz
Minimum brightness:	5% Duty
Soft on/off:	2s +/- 20%
Dimming:	5s +/- 20%
Usage:	Smart Driver 872 required Wireless Sensors 860/861/862/863 required

Environmental conditions

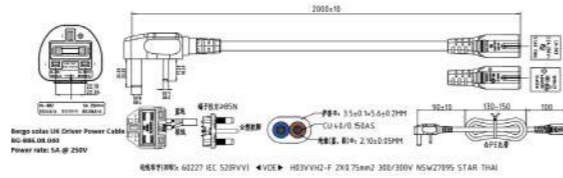
Operating temperature range:	-10° C ~ +45° C
Storage temperature range:	-20° C ~ +70° C
Operating humidity:	5 ~ 95%

Item ID No.

Finish/Colour	Size (WxDxH) mm	Cat. No.
Black	50 x 75 x 15 mm	BG-881.08.001.04A



LED driver power cable. UK plug.



Description

Power: 5 A @ 250 V_{ac}

Wire length: 2000 mm

Item ID No.

Finish/Colour	Cat. No.
Black	BG-886.08.040



Spotlights & Light Bars

- 25 LED Spotlight-Surface Mounted Square
- 26 LED Spotlight-Surface Mounted Round
- 27 Alu Light Bar-Recessed
- 28 Drawer Alu Light-IR

SOLAS surface mounted square LED spotlight. Enhances the appearance of any feature in your home, creating a warm and welcoming atmosphere.

Environmental conditions

Operating temperature range:	-20° C ~ +45° C
Operating humidity:	5 ~ 95%
Storage temperature range:	-20° C ~ +60° C
Storage humidity:	5 ~ 95%



Description

Size:	68 x 68 x 9.5 mm
Material:	Aluminium
Power:	3 W/m (MAX)
Color rendering index (CRI):	> 90
LED type:	3014
Brightness:	> 45 lm
Angle of projection:	120°
Input voltage:	12 V _{cc}



Item ID No.

Finish/Colour	Colour temp	Cat. No.
Silver	4000 K	BG-805.08.201.07

SOLAS surface mounted round LED spotlight. Enhances the appearance of any feature in your home, creating a warm and welcoming atmosphere.

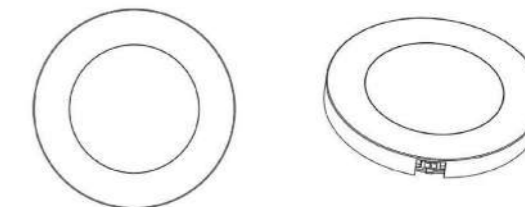
Environmental conditions

Operating temperature range:	-20° C ~ +45° C
Operating humidity:	5 ~ 95%
Storage temperature range:	-20° C ~ +60° C
Storage humidity:	5 ~ 95%



Description

Size:	Ø68 x 9.5 mm
Material:	Aluminium
Power:	3 W/m (MAX)
Color rendering index (CRI):	> 90
LED type:	3014
Brightness:	> 45 lm
Angle of projection:	120°
Input voltage:	12 V _{cc}



Item ID No.

Finish/Colour	Colour temp	Cat. No.
Silver	2700 K	BG-807.08.001.07
	4000 K	BG-807.08.201.07

SOLAS recessed aluminium light bar offers a contemporary lighting option that can enhance the look of your home. These aluminium channels are installed flush into drywall, ceilings, or furniture, ensuring a sleek and stylish finish.



Environmental conditions

Operating temperature range:	-20° C ~ +45° C
Operating humidity:	5 ~ 95%
Storage temperature range:	-20° C ~ +60° C
Storage humidity:	5 ~ 95%

Description

Strip width:	5 mm
Material:	6063 Aluminium + PC
Diffuser:	Milky white
Power:	5 W/m (MAX)
Color rendering index (CRI):	> 90
SCDM:	< 3
LED type:	2835
Brightness:	100 lm +/- 5%
Angle of projection:	120°
Dimmable:	Yes
Input voltage:	12 V _{DC}



Item ID No.

Finish/Colour	Colour temp	Size (WxDxH) mm	Cat. No.
Graphite	3000 K	10 x 9 x 250 mm	BG-827.08.101.13
		10 x 9 x 500 mm	BG-827.08.107.13
		10 x 9 x 1800 mm	BG-827.08.108.13

SOLAS drawer aluminium IR light. A soft LED light specifically made for drawers. It includes an infrared sensor for ease of use, automatically turning the light on or off when the drawer is opened or closed.

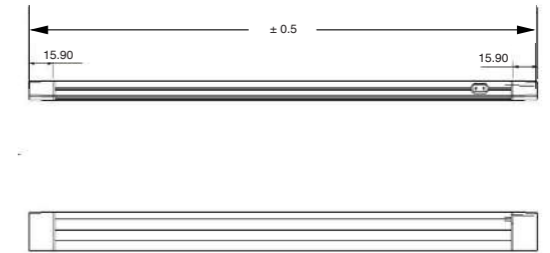


Environmental conditions

Operating temperature range:	-20° C ~ +45° C
Operating humidity:	5 ~ 95%
Storage temperature range:	-20° C ~ +60° C
Storage humidity:	5 ~ 95%

Description

Power:	Up to 9.6 W/m
Number of LEDs per m:	150 /m
Color rendering index (CRI):	> 90
LED type:	2835
Brightness:	225 lm +/- 10%
Angle of projection:	120°
Sensing distance:	4-9 cm
Input voltage:	12 V _{DC}

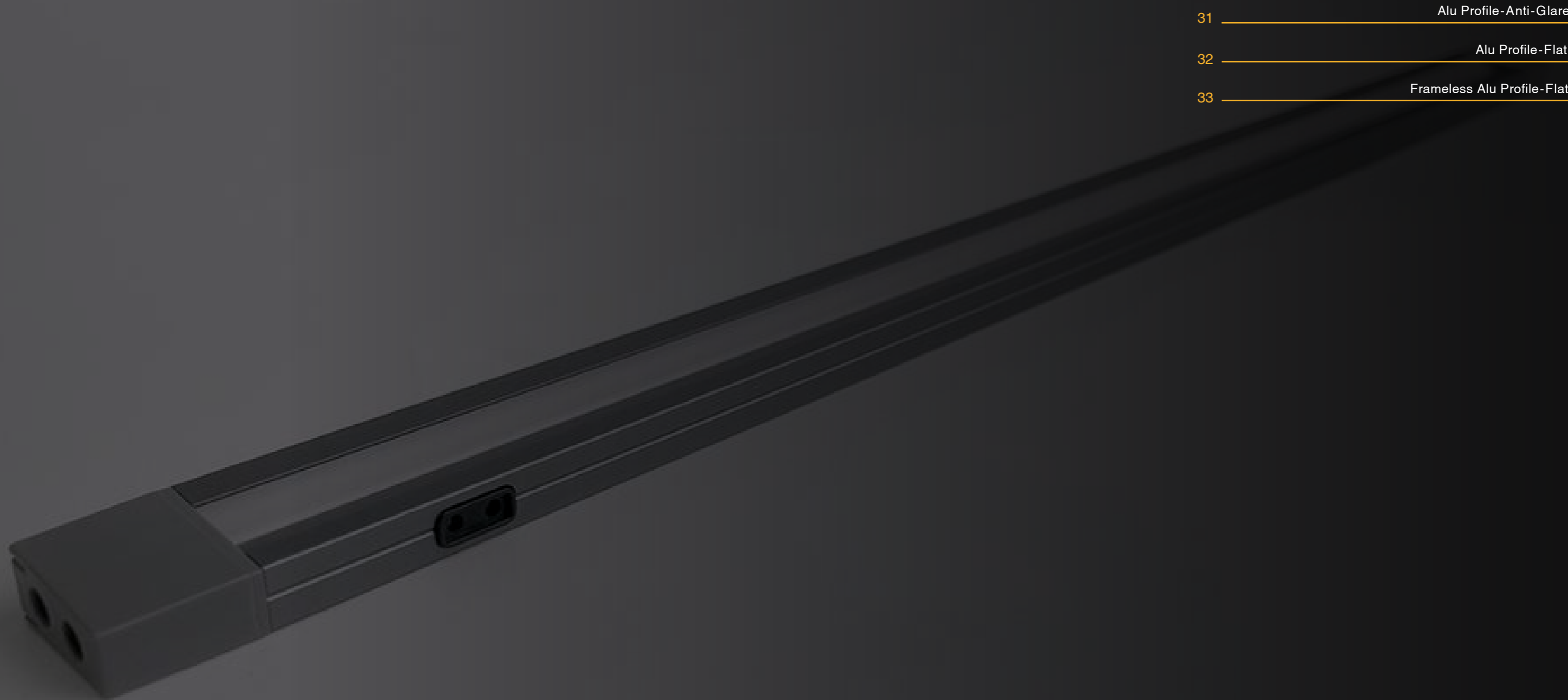


Item ID No.

Finish/Colour	Colour temp	Size (WxDxH) mm	Cat. No.
Graphite	2700 K	20 x 10 x 500 mm	BG-830.08.110.13
		20 x 10 x 800 mm	BG-830.08.111.13

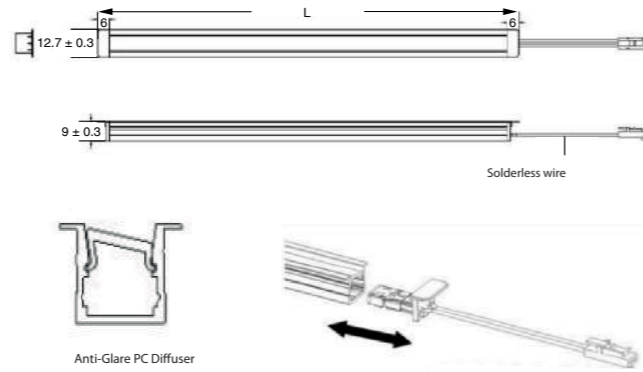
Profile Lights

- 31 Alu Profile-Anti-Glare
- 32 Alu Profile-Flat
- 33 Frameless Alu Profile-Flat



SOLAS anti-glare aluminium profiles. An innovative lighting solution that reduces glare, providing comfortable and visually appealing illumination for your residential recessed lighting needs.

Installation



Description

Size:	12 x 9 x 2500 mm
Diffuser:	Milky white
Power:	Up to 5 W/m
Usage:	LED strips 841/842 required

NB: Aluminium profiles and diffuser only. Requires LED Strip and accessories to operate

Item ID No.

Finish/Colour	Cat. No.
Black	BG-826.08.102.04
Graphite	BG-826.08.102.13

Additional accessories

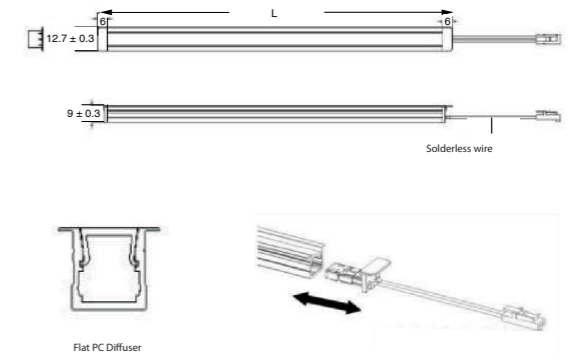
Finish/Colour	Cat. No.
Black	BG-831.08.000.04
Graphite	BG-831.08.000.13



End caps, Metal Brackets, Wire

SOLAS flat aluminium profiles. An innovative lighting solution that gives your home a sleek and attractive finish.

Installation



Description

Size:	12 x 9 x 2500 mm
Diffuser:	Milky white
Power:	Up to 5 W/m
Usage:	LED strips 841/842 required

NB: Aluminium profiles and diffuser only. Requires LED Strip and accessories to operate

Item ID No.

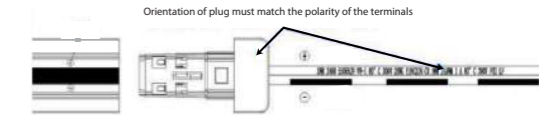
Finish/Colour	Cat. No.
Black	BG-828.08.102.04
Graphite	BG-828.08.102.13

Additional accessories

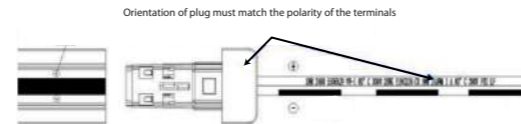
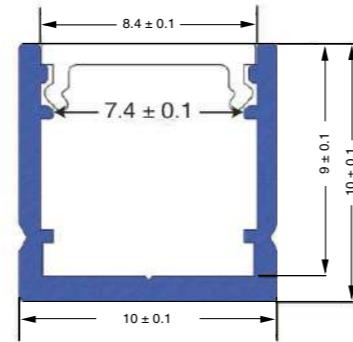
Finish/Colour	Cat. No.
Black	BG-831.08.000.04
Graphite	BG-831.08.000.13



End caps, Metal Brackets, Wire



SOLAS flat frameless aluminium profiles. An innovative lighting solution that gives your home a sleek and attractive finish. **Installation**



Description

Size:	10 x 10 x 2500 mm
Diffuser:	Milky white
Power:	Up to 5 W/m
Usage:	LED strips 844/845

NB: Aluminium profiles and diffuser only. Requires LED strip and accessories to operate

Item ID No.

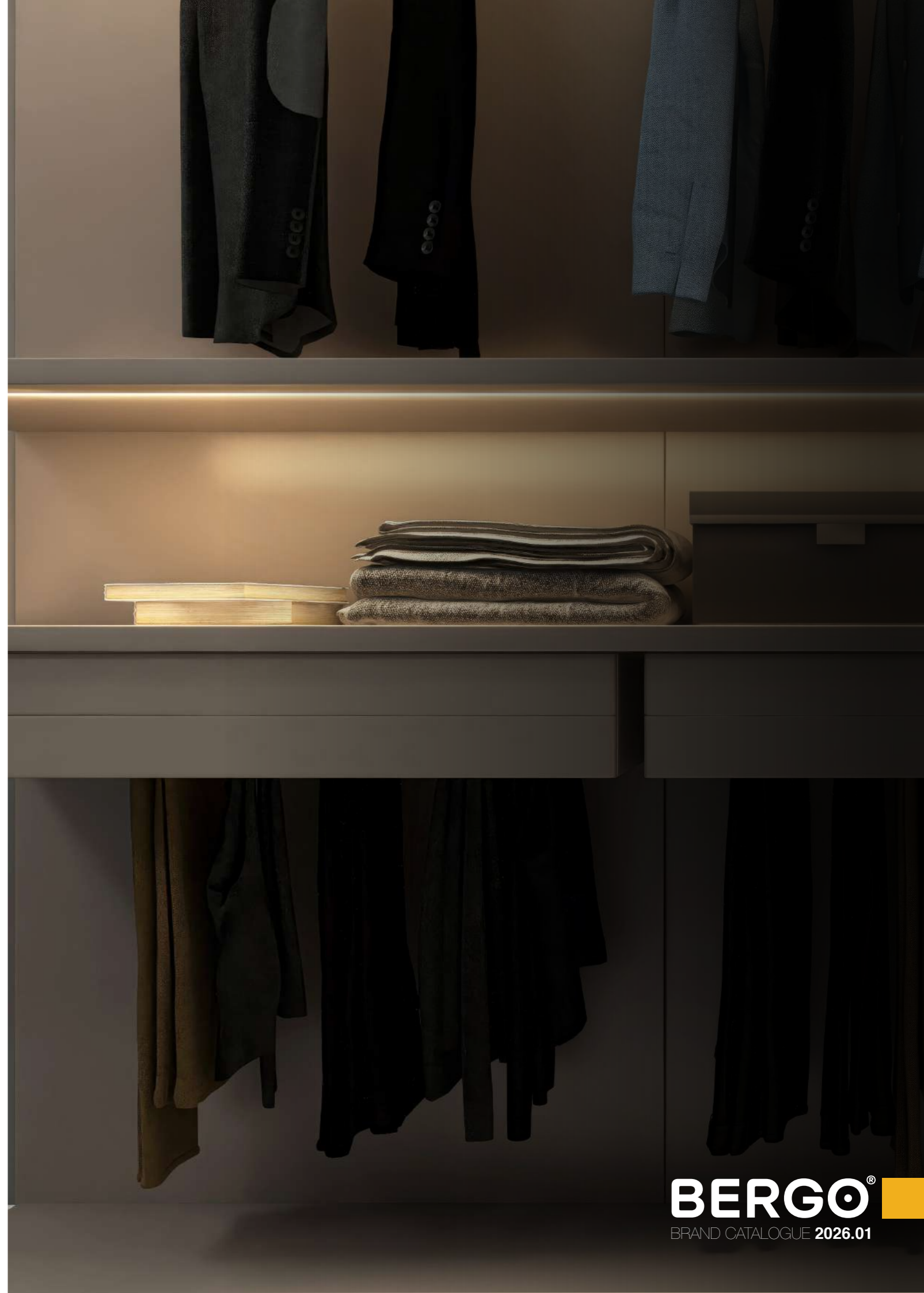
Finish/Colour	Cat. No.
Black	BG-829.08.103.04

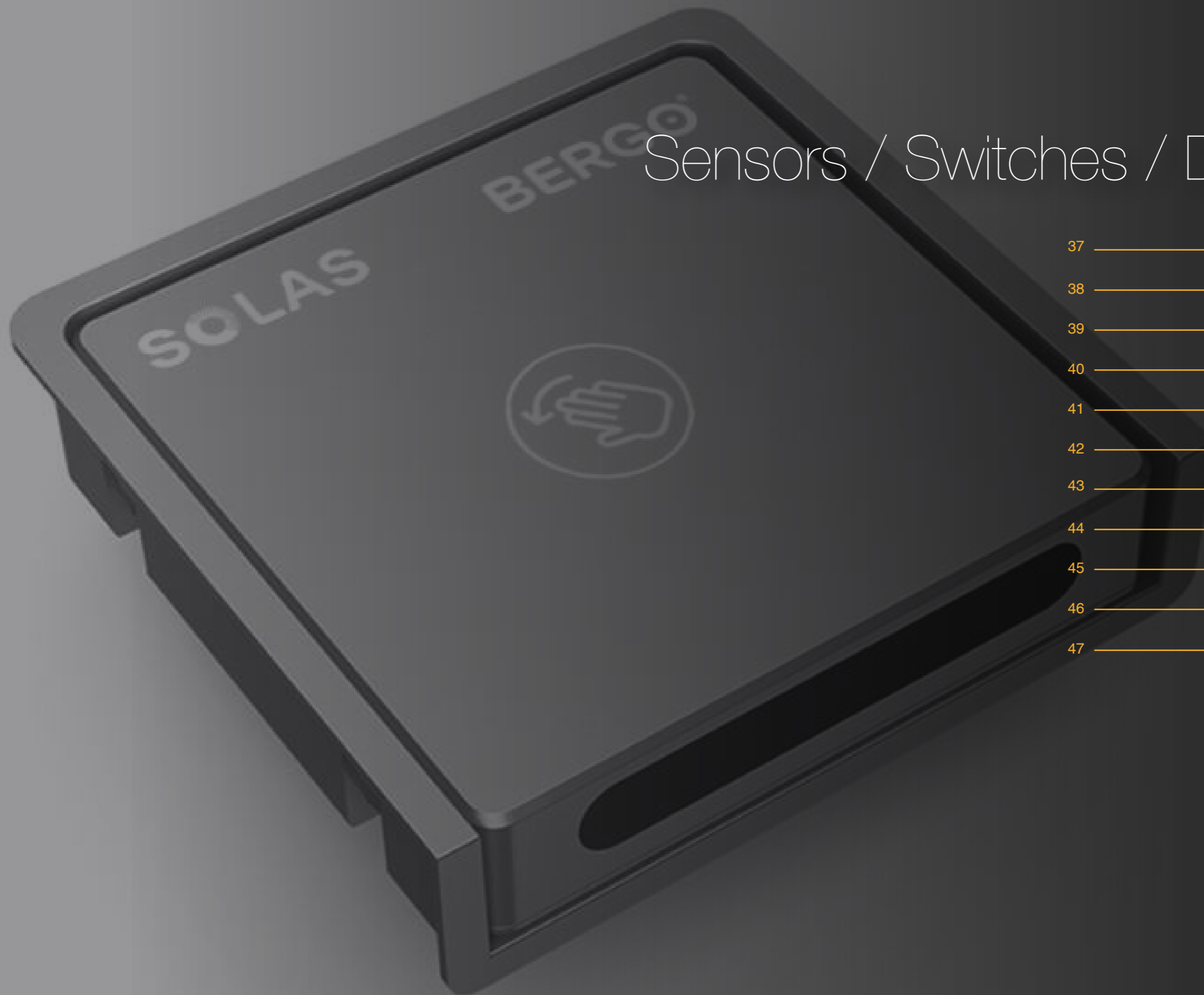
Additional accessories

Finish/Colour	Cat. No.
Black	BG-832.08.000.04



End caps, Metal Brackets, Wire





Sensors / Switches / Distributors

- 37 [Wired IR Switch-Double-Door](#)
- 38 [Wired Touch Switch-Dimmable](#)
- 39 [Wired Touch Switch-Non-Dimmable](#)
- 40 [Wired IR Switch-Dimmable](#)
- 41 [Wired PIR Switch](#)
- 42 [Wireless IR Sensor-Top Gesture](#)
- 43 [Wireless IR Sensor-Dual-Door](#)
- 44 [Wireless Touch Sensor-Dimmable](#)
- 45 [Wireless IR Sensor-Front Gesture](#)
- 46 [Wired IR In-Line Switch-Double-Door](#)
- 47 [Distribution Box-6-Way](#)

SOLAS double-door IR switch with a detachable control box for double cabinet doors.



Environmental conditions

Operating temperature range:	-10° C ~ +45° C
Storage temperature range:	-20° C ~ +70° C
Operating humidity:	5 ~ 95%

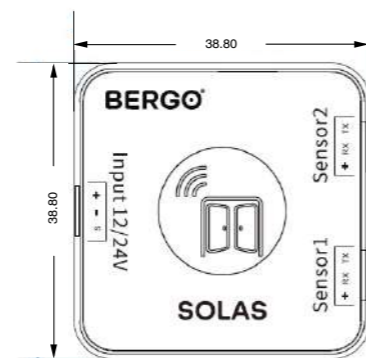
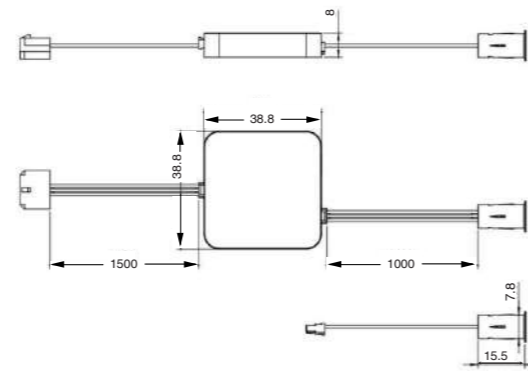
Electromagnetic certification

Item	Country	Certified status	Standards
CE	European Union	Accord	EN301 489

Description

Size:	39 x 39 x 8 mm
Input/Output voltage:	12/24 V _{DC}
Input/Output current:	5 mA
PWM frequency:	1 KHz
Sensor wire length:	1000 mm +/- 20 mm
Control box wire length:	1500 mm +/- 20 mm
Usage:	Switched drivers 873/874/876/877/878 required

NB: 1 control box with 2 sensors



Item ID No.

Finish/Colour	Cat. No.
Graphite	BG-855.08.130

SOLAS is a soft dimmable touch switch with a detachable control box. Simply touch and hold to dim the light, or tap to turn it on or off.



Environmental conditions

Operating temperature range:	-10° C ~ +45° C
Storage temperature range:	-20° C ~ +70° C
Operating humidity:	5 ~ 95%

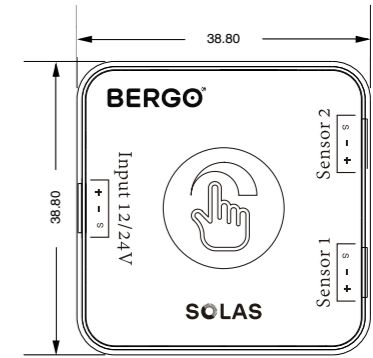
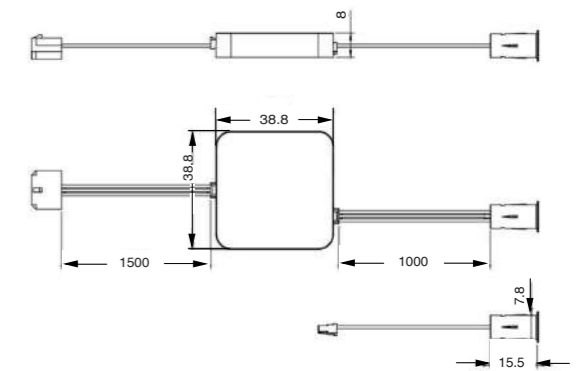
Electromagnetic certification

Item	Country	Certified status	Standards
CE	European Union	Accord	EN301 489

Description

Size:	39 x 39 x 8 mm
Input/Output voltage:	12/24 V _{DC}
Input/Output current:	5 mA
PWM frequency:	1 KHz
Soft on/off:	3s +/- 10%
Sensor wire length:	1000 mm +/- 20 mm
Control box wire length:	1500 mm +/- 20 mm
Usage:	Switched drivers 873/874/876/877/878 required

NB: 1 control box with 2 sensors



Item ID No.

Finish/Colour	Cat. No.
Graphite	BG-856.08.130

SOLAS soft touch switch comes with a detachable control box. Simply tap to turn it on or off.



Description

Size:	39 x 39 x 8 mm
Input/Output voltage:	12/24 V _{DC}
Input/Output current:	5 mA
PWM frequency:	1 KHz
Soft on/off:	3s +/- 10%
Sensor wire length:	1000 mm +/- 20 mm
Control box wire length:	1500 mm +/- 20 mm
Usage:	Switched drivers 873/874/876/877/878 required

NB: 1 control box with 2 sensors

Item ID No.

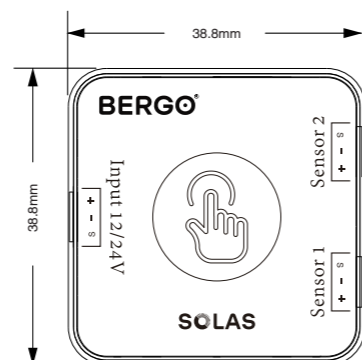
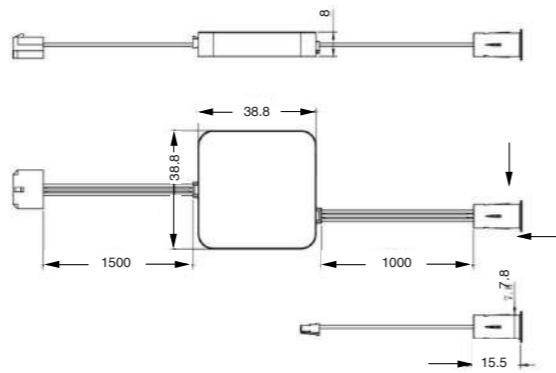
Finish/Colour	Cat. No.
Graphite	BG-857.08.130

Environmental conditions

Operating temperature range:	-10° C ~ +45° C
Storage temperature range:	-20° C ~ +70° C
Operating humidity:	5 ~ 95%

Electromagnetic certification

Item	Country	Certified status	Standards
CE	European Union	Accord	EN301 489



SOLAS soft dimmable IR switch. Comes with a detachable control box. You can dim the lights by touching and holding, waving your hand, or opening and closing the cabinet to turn it on or off.



Description

Size:	39 x 39 x 8 mm
Input/Output voltage:	12/24 V _{DC}
Input/Output current:	5 mA
PWM frequency:	1 KHz
Sensor wire length:	1000 mm +/- 20 mm
Control box wire length:	1500 mm +/- 20 mm
Usage:	Switched drivers 873/874/876/877/878 required

NB: 1 control box with 2 sensors

Environmental conditions

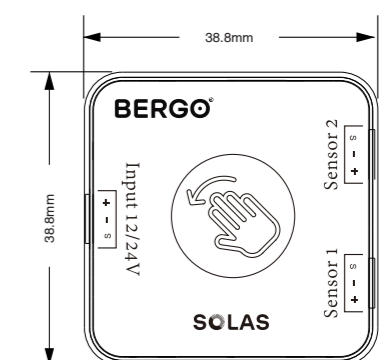
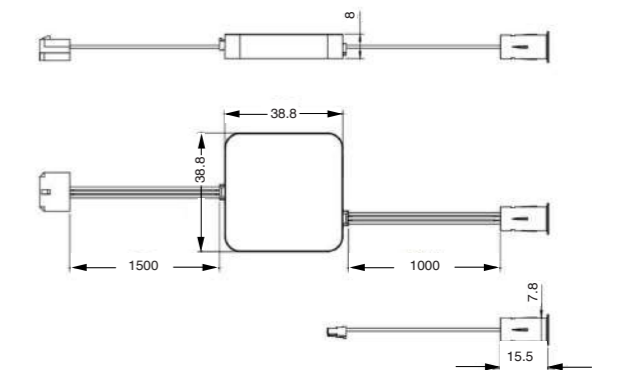
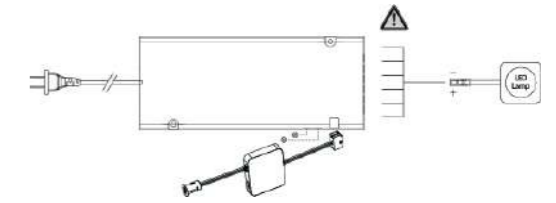
Operating temperature range:	-10° C ~ +45° C
Storage temperature range:	-20° C ~ +70° C
Operating Humidity:	5 ~ 95%

Item ID No.

Finish/Colour	Cat. No.
Graphite	BG-858.08.130

Electromagnetic certification

Item	Country	Certified status	Standards
CE	European Union	Accord	EN301 489



SOLAS infrared motion switch. This PIR enables you to automatically control lighting by sensing human presence.



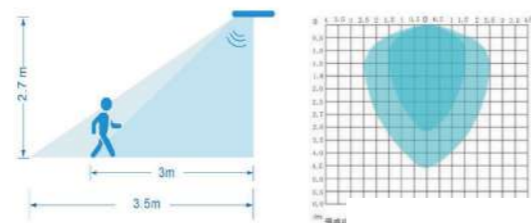
Electromagnetic certification

Item	Country	Certified status	Standards
CE	European Union	Accord	EN301 489

Description

Size:	22 x 24 mm
Input/Output voltage:	12/24 V _{cc}
Input/Output current:	0.02 A
Sensor range:	3.5 m (MAX)
Usage:	Switched drivers 873/874/876/877/878 required

Range schematic diagram

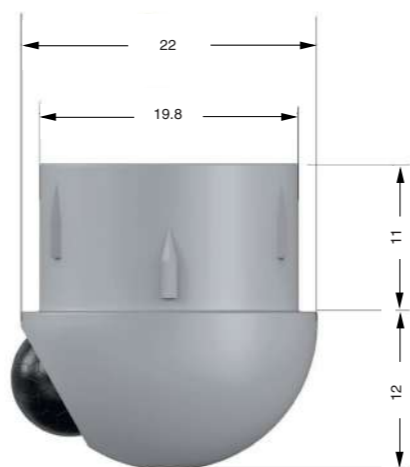


Environmental conditions

Operating temperature range:	-10° C ~ +45° C
Storage temperature range:	-20° C ~ +70° C
Operating humidity	5 ~ 95%

Item ID No.

Finish/Colour	Cat. No.
Graphite	BG-859.08.130



SOLAS wireless IR top gesture sensor simplifies the operation of your LED device. An inherently hygienic touchless design.



Environmental conditions

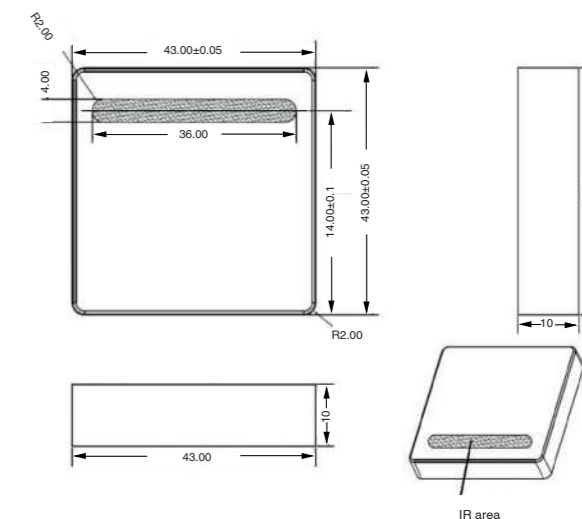
Operating temperature range:	-10° C ~ +45° C
Storage temperature range:	-20° C ~ +70° C
Operating humidity:	5 ~ 95%
IP:	IP20

Electromagnetic certification

Item	Country	Certified status	Standards
CE	European Union	Accord	EN62368-1: 2014

Description

Size:	43 x 43 x 9 mm
Input voltage:	3.0 V _{cc}
Input current:	CR2450 / 3.0 V - 600 mA
Density:	High density - Non-rechargeable
Sensor range:	3-12 cm
Angle of projection:	Side
Usage:	Smart drivers 872/875 required

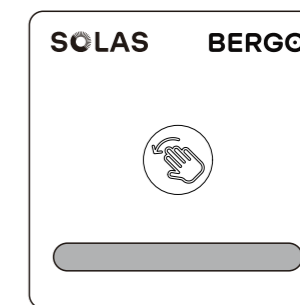


Wireless features

Frequency:	ISM 2405-2485 MHz
Modulation:	GFSK
Transmit power:	0 dbm
Effective transmission distance:	>6 m (obstacle-free)

Item ID No.

Finish/Colour	Cat. No.
Graphite	BG-860.08.130



SOLAS wireless IR dual-door sensor for double cabinet doors.



Environmental conditions

Operating temperature range:	-10° C ~ +45° C
Storage temperature range:	-20° C ~ +70° C
Operating humidity:	5 ~ 95%
IP:	IP20

Electromagnetic certification

Item	Country	Certified status	Standards
CE	European Union	Accord	EN62368-1: 2014

Description

Size:	43 x 43 x 9 mm
Input voltage:	3.0 V _{oc}
Input current:	CR2450 / 3.0 V - 600 mA
Density:	High density - Non-rechargeable
Sensor range:	0-12 cm
Angle of projection:	<40°
Usage:	Smart drivers 872/875 required

Wireless features

Frequency:	ISM 2405-2485 MHz
Modulation:	GFSK
Transmit power:	0 dbm
Effective transmission distance:	>6 m (obstacle-free)

Item ID No.

Finish/Colour	Cat. No.
Graphite	BG-861.08.130



SOLAS wireless dimmable general purpose sensor.



Environmental conditions

Operating temperature range:	-10° C ~ +45° C
Storage temperature range:	-20° C ~ +70° C
Operating humidity:	5 ~ 95%
IP:	IP20

Electromagnetic certification

Item	Country	Certified status	Standards
CE	European Union	Accord	EN62368-1: 2014

Description

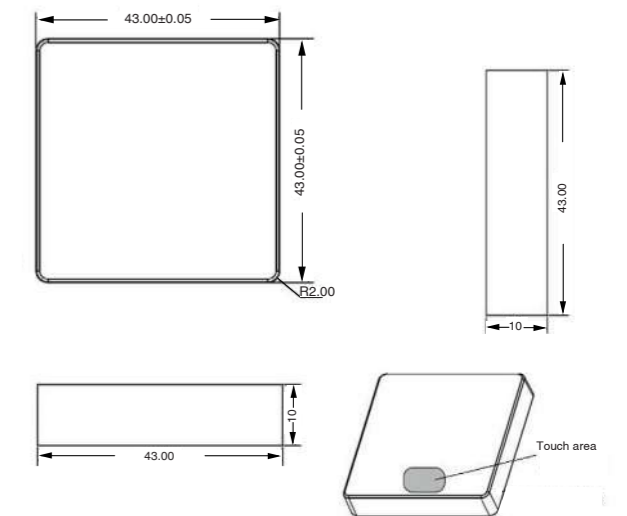
Size:	43 x 43 x 9 mm
Input voltage:	3.0 V _{oc}
Input current:	CR2450 / 3.0 V - 600 mA
Density:	High density - Non-rechargeable
Angle of projection:	Side
Usage:	Smart drivers 872/875 required

Wireless features

Frequency:	ISM 2405-2485 MHz
Modulation:	GFSK
Transmit power:	0 dbm
Effective transmission distance:	>6 m (obstacle-free)

Item ID No.

Finish/Colour	Cat. No.
Graphite	BG-862.08.130



SOLAS wireless IR front gesture sensor simplifies the operation of your LED device.
An inherently hygienic touchless design.



Description

Size:	43 x 43 x 9 mm
Input voltage:	3.0 V _{oc}
Input current:	CR2450 / 3.0 V - 600 mA
Density:	High density - Non-rechargeable
Sensor range:	3-12 cm
Angle of projection:	Side
Usage:	Smart drivers 872/875 required

Wireless features

Frequency:	ISM 2405-2485 MHz
Modulation:	GFSK
Transmit power:	0 dbm
Effective transmission distance:	>6 m (obstacle-free)

Item ID No.

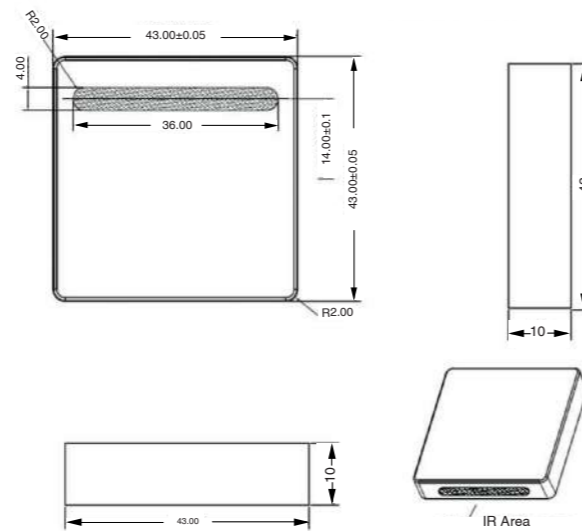
Finish/Colour	Cat. No.
Graphite	BG-863.08.130

Environmental conditions

Operating temperature range:	-10° C ~ +45° C
Storage temperature range:	-20° C ~ +70° C
Operating humidity:	5 ~ 95%
IP:	IP20

Electromagnetic certification

Item	Country	Certified status	Standards
CE	European Union	Accord	EN62368-1: 2014



SOLAS double-door IR In-line switch with a detachable control box for double cabinet doors.



Description

Finish/colour:	Graphite
Size:	39 x 39 x 8 mm
Input/Output voltage:	12/24 V _{oc}
Input/Output current:	5 mA
PWM frequency:	1 KHz
Sensor wire length:	1000 mm +/- 20 mm
Control box wire length:	1500 mm +/- 20 mm
Usage:	Switched drivers 873/874/876/877/878 required

NB: 1 control box with 2 sensors

Item ID No.

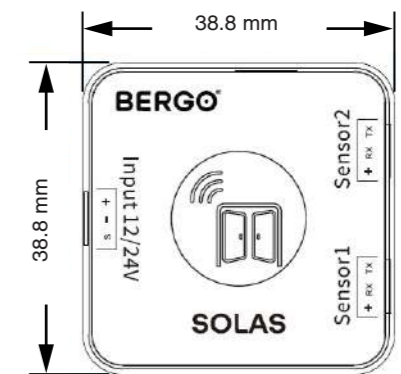
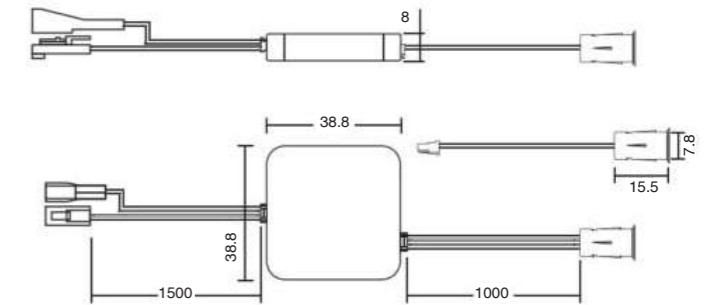
Finish/Colour	Cat. No.
Graphite	BG-865.08.130

Environmental conditions

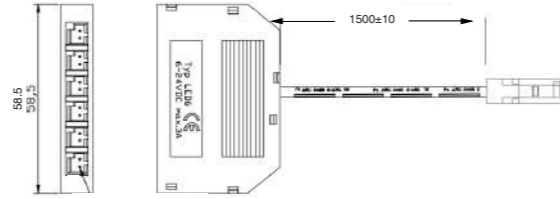
Operating temperature range:	-10° C ~ +45° C
Storage temperature range:	-20° C ~ +70° C
Operating humidity:	5 ~ 95%

Electromagnetic certification

Item	Country	Certified status	Standards
CE	European Union	Accord	EN301 489



SOLAS 6-way distribution box. Enables the addition of LEDs to any existing driver



Description

Material:	ABS plastic
Input voltage:	12V _{dc}
Input current:	3 A (MAX)
Circuit:	Parallel
Cable:	UL2468 22AWG
Wire length:	1500 mm +/- 10 mm

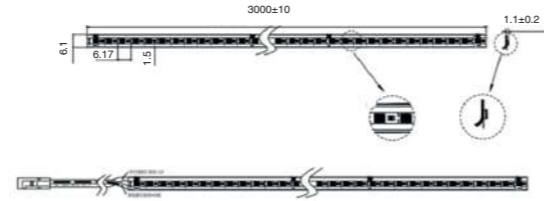
Item ID No.

Finish/Colour	Cat. No.
Black	BG-866.08.041

LEDs & Extensions

51	LED Strip
52	LED Strip-COB
53	LED Strip
54	LED Strip-COB
55	LED Strip
56	Extension Lead-Output
57	Fast Connector Lead-5 mm
58	Fast Connector Lead-8 mm
59	Fast Connector Lead-8 mm
60	Inter-Strip Connector Lead-5 x 50 mm
61	Extension Lead-Wired Switch
62	Inter-Strip Connector Lead-8 x 50 mm
63	Inter-Profile Connector-5 x15 mm
64	Exposed Switch Housing

SOLAS LED free-cutting strip. Ideal for creating a bright light source. This high-lumen LED strip is the best choice for those seeking powerful lighting in offices, workspaces, or homes.



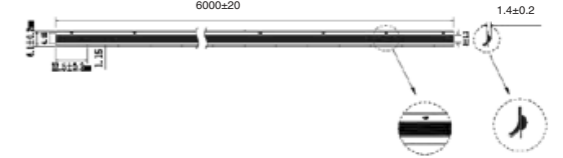
Description

Power:	5 W/m
Number of LEDs per m:	162 /m
Color rendering Index (CRI):	> 90
SMD:	2025
Input voltage:	12 V _{cc}
Usage:	Alu profiles 826/828 optional

Item ID No.

Colour temp	Size (WxL) mm	Cat. No.
2700 K	6 x 5000	BG-841.08.001.01
	6 x 30000	BG-841.08.001.03
4000 K	6 x 5000	BG-841.08.201.01
	6 x 30000	BG-841.08.201.03

SOLAS LED free-cutting strip. Ideal for creating a bright light source. This high-lumen LED strip is the best choice for those seeking powerful lighting in offices, workspaces, or homes.



Description

Power:	5 W/m
Number of LEDs per m:	320 /m
Color rendering index (CRI):	> 90
Input voltage:	12 V _{cc}
Usage:	Alu profiles 826/828 optional

Item ID No.

Colour temp	Size (WxL) mm	Cat. No.
2700 K	6 X 5000	BG-842.08.001.01
	6 X 50000	BG-842.08.001.04

SOLAS LED strip is deal for creating a bright light source. This high-lumen LED strip is the best choice for those seeking powerful lighting in offices, workspaces, or homes.



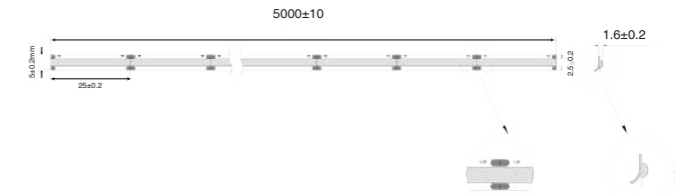
Description

Power:	9.6 W/m
Number of LEDs per m:	120 /m
SMD:	2835
Color rendering index (CRI):	> 90
Input voltage:	12 V _{dc}

Item ID No.

Colour temp	Size (WxL) mm	Cat. No.
2700 K	8 X 5000	BG-843.08.001.01
	8 X 50000	BG-843.08.001.04

SOLAS LED strip is deal for creating a bright light source. This high-lumen LED strip is the best choice for those seeking powerful lighting in offices, workspaces, or homes.



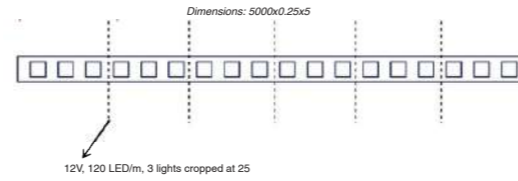
Description

Power:	5 W/m
Number of LEDs per m:	320 /m
Color rendering index (CRI):	> 90
Input voltage:	12 V _{dc}
Usage:	Alu profile 829 optional

Item ID No.

Colour temp	Size (WxL) mm	Cat. No.
2700 K	5 X 5000	BG-844.08.001.01
	5 X 30000	BG-844.08.001.03

SOLAS LED strip is deal for creating a bright light source. This LED strip is the best choice for those seeking powerful lighting in offices, workspaces, or homes.



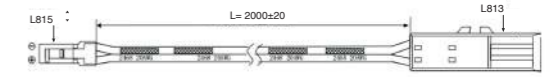
Description

Power:	3 W/m
Number of LEDs per m:	120 /m
SMD:	2835
Color rendering index (CRI):	> 90
Input voltage:	12 V _{DC}
Usage:	Alu profile 829 optional

Item ID No.

Colour temp	Size (WxL) mm	Cat. No.
2700 K	5 X 5000	BG-845.08.001.01

SOLAS single output LED extension lead.



Description

Connectors:	L813 male & L815 female plugs
Wire:	UL2468 20 AWG / 2 C
UL certification no:	E506529
Input voltage:	12/24V _{DC}
Input current:	5 A
Wire length:	2000 mm +/- 20 mm

Item ID No.

Finish/Colour	Cat. No.
Black	BG-887.08.040

SOLAS LED strip to driver connector.



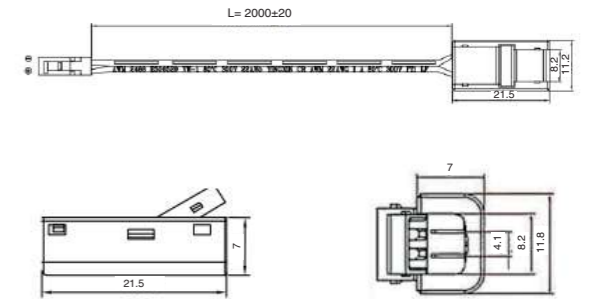
Description

Size:	5 x 2000 mm
Connectors:	L813 male plug & OA2P-5 transparent connector
Buckle width:	5 mm
Wire:	UL2468 22 AWG / 2 C
UL certification no:	E506529
Input voltage:	DC 12/24V _{dc}
Input current:	3 A
Wire length:	2000 mm +/- 20 mm
Usage:	LED strip 844 optional

Item ID No.

Finish/Colour	Cat. No.
Black	BG-888.08.040

SOLAS LED strip to driver connector.



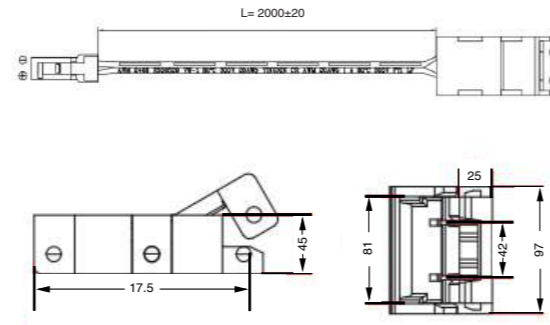
Description

Size:	8 x 2000 mm
Connectors:	L813 male plug & MA2P-8 transparent connector
Buckle width:	8 mm
Wire:	UL2468 22 AWG / 2 C
UL Certification no:	E506529
Input voltage:	12/24 V _{dc}
Input current:	3 A
Wire length:	2000 mm +/- 20 mm
Usage:	LED strips 841/842/843 optional

Item ID No.

Finish/Colour	Cat. No.
Black	BG-889.08.040

SOLAS LED strip to driver connector.



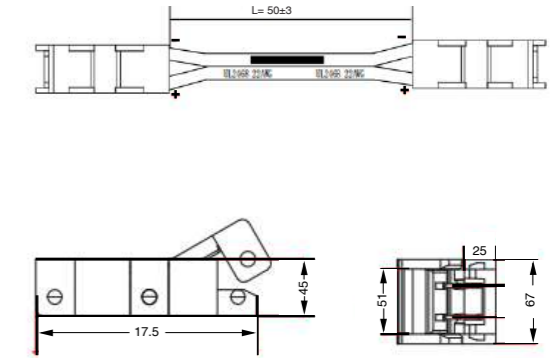
Description

Size:	8 x 2000 mm
Connectors:	L813 male plug & OA2p-8 transparent connector
Buckle width:	8 mm
Wire:	UL2468 22 AWG / 2 C
Wire length:	2000 mm +/- 20 mm
UL Certification no:	E506529
Input voltage:	12/24 V _{DC}
Input current:	3 A
Usage:	LED strip 841/843 optional

Item ID No.

Finish/Colour	Cat. No.
Black	BG-890.08.040

SOLAS inter-strip connector leads enable you to connect multiple LED strips.



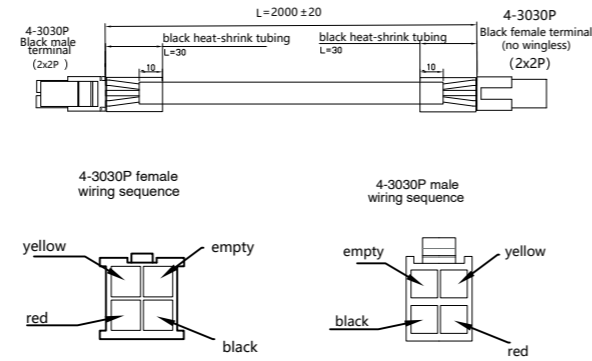
Description

Connectors:	OA2P-5 & OA2P-5 transparent connectors
Buckle width:	5 mm
Wire:	UL2468 22 AWG / 2 C
Wire length:	50 mm +/- 3 mm
UL certification no:	E506529
Input voltage:	12/24 V _{DC}
Input current:	3 A
Usage:	LED strip 844 optional

Item ID No.

Size:	Cat. No.
5 x 50 mm	BG-891.08.040

SOLAS extension lead for wired switches.



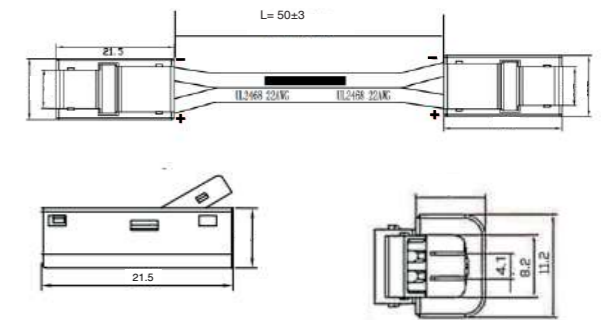
Description

Connectors:	3030-4P male & female plugs
Wire:	UL20276 24 AWG / 3 P
UL certification no:	E506529 / E350945
Input voltage:	12/24V _{dc}
Input current:	2 A
Wire length:	2000 mm +/- 20 mm
Usage:	Wired sensors 855/856/857/858/859 optional

Item ID No.

Finish/Colour	Cat. No.
Black	BG-892.08.040

SOLAS inter-strip connector leads enable you to connect multiple LED strips.



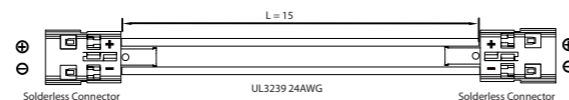
Description

Connectors:	MA2P-8 & MA2P-8
Buckle width:	8 mm
Wire:	UL2468 22 AWG / 2 C
Wire length:	50 mm +/- 3 mm
UL certification no:	E506529
Input voltage:	12/24 V _{dc}
Input current:	3 A
Usage:	LED strips 841/842/843 optional

Item ID No.

Size:	Cat. No.
8 x 50 mm	BG-893.08.040

SOLAS inter-profile connector enables you to connect multiple aluminium profiles

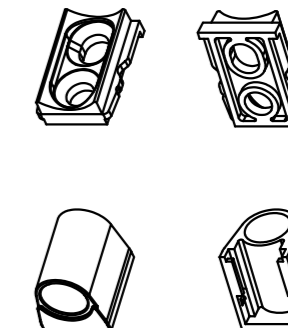
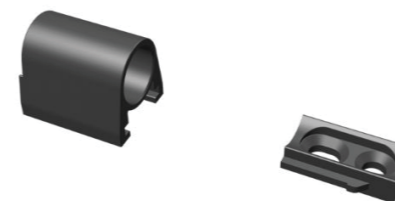


Description

Connectors:	Solderless connectors
Buckle width:	5 mm
Wire:	UL3239 24 AWG
Wire Length:	15 mm
Input voltage:	12/24 V _{DC}
Input current:	2 A
Usage:	Alu profile 826/828/829 optional LED strips 841/842/844/845 optional

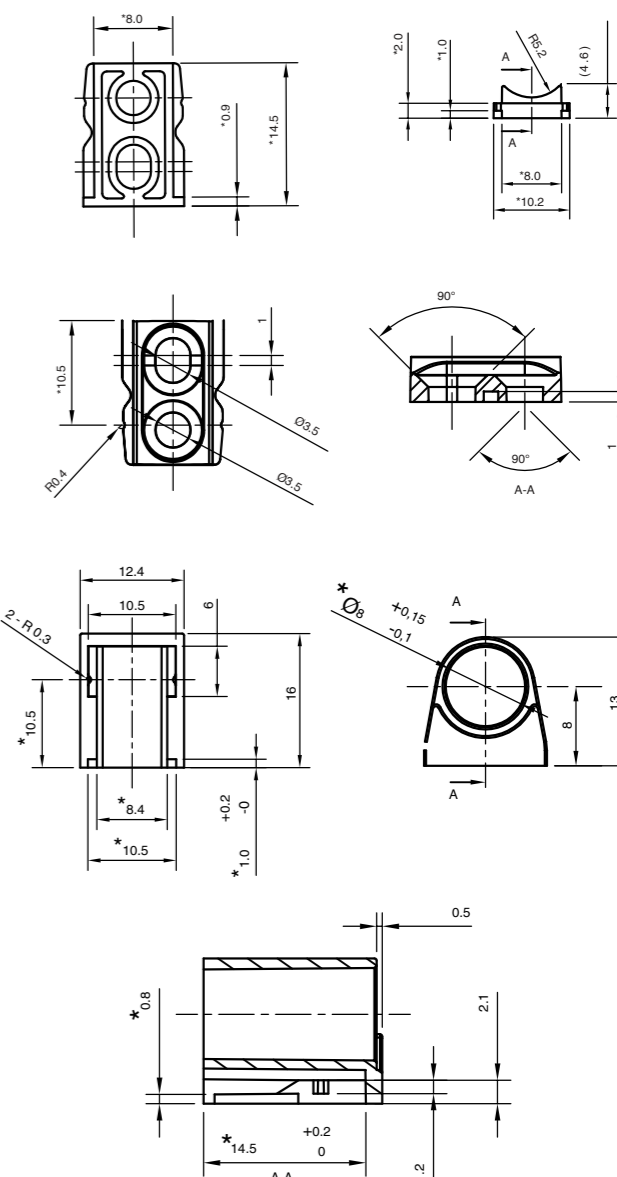
Item ID No.

Size:	Cat. No.
5 x 15 mm	BG-896.08.020



Description

Material:	ABS, PC
Diameter:	Ø 8 mm
Connector housing	
Size:	16 x 12.4 x 13 mm
Mounting Base	
Size:	14.5 x 10.2 x 4.6 mm
Usage:	Wired sensors 855/856/857/858/865 optional



Item ID No.

Finish/Colour	Cat. No.
Black	BG-897.08.040

Illuminate Your Life with **SOLAS**

Get in touch **with us.**

Regional Offices:

Warehouse L12, Phase 1, Dubai Industrial City, Dubai, UAE
☎ +971 4 564 2460 (landline) / 📞 +971 56 539 2001 (Mobile)
info@bergopro.com
www.bergopro.com

For International Enquiries:

info@bergopro.co.uk
www.bergopro.co.uk

Photographs and images in the catalogue
will differ slightly from the actual items.

**For exact colours, grains, and textures,
kindly contact us for samples.**

BERGO® 