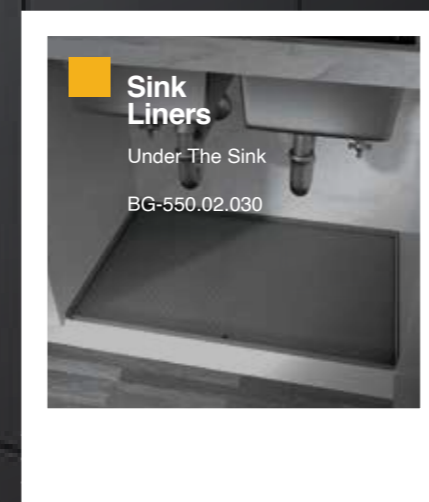
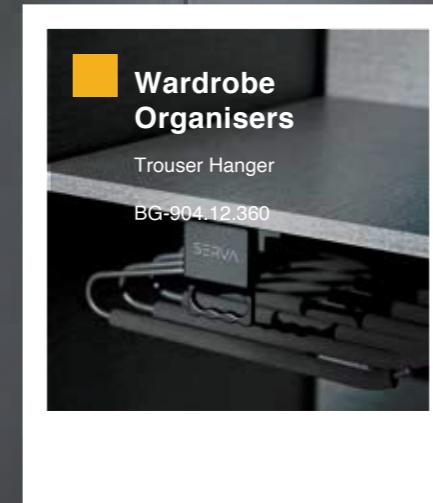
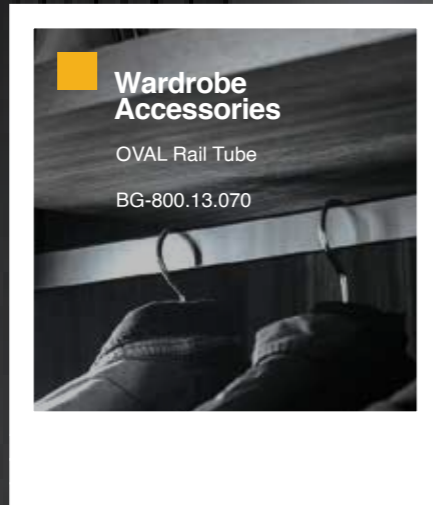


Products Catalogue.

BRAND CATALOGUE 2026.01

GCC Edition



INTRODUCING BERGO SERVA

4 Years · 5 Countries

WHO WE ARE

BERGO PRO UK Limited is a British company specialising in building materials, with regional headquarters, BERGO PRO Building Materials Trading LLC, located in Dubai Industrial City (DIC), UAE.

A key player in the Gulf Cooperation Council (GCC) region, **BERGO PRO** is dedicated to delivering innovative B2B solutions tailored specifically to the needs of the furniture manufacturing, flooring and WPC markets including the **UAE, Qatar, Oman, Saudi Arabia, and Bahrain.**

MISSION & VISION

What sets BERGO PRO apart is our commitment to a demand-driven business model that focuses on initiative-taking research and development (R&D). This approach allows us to continuously introduce innovative products that grant our customers a competitive edge.

Moreover, our clearly defined strategy prioritises market-oriented solutions over conventional manufacturing methods, enabling us to address the specific architectural and furniture requirements of the GCC region.

Operating from our headquarters in Dubai, BERGO PRO manages dedicated teams across the GCC to ensure seamless service delivery. As we aim to expand our footprint into other Middle Eastern and North African (MENA) markets, we are actively seeking manufacturing partners and distributors to complement our existing relationships with direct customers.

Our vigilant monitoring of industry trends and emerging technologies ensures that we remain at the forefront of innovation, thus driving commercial success for all stakeholders involved.

The GCC represents a wealth of opportunities, and we foresee robust growth potential as we reinforce our presence in this dynamic market.

INTELLIGENT STORAGE SOLUTIONS

SERVA is BERGO's modular storage and organisation system for wardrobe and kitchen furniture. It defines how internal space is structured, optimised, and accessed, forming the organisational foundation of the BERGO portfolio.

SERVA is designed to support both bespoke and large-scale furniture manufacturing, providing consistency across different applications.

What SERVA Does

SERVA addresses the organisation layer of furniture systems. It defines how items are stored, arranged, and accessed within furniture, without influencing door movement or furniture detailing.

All BERGO subbrands,
together online



Explore our complete collection on our website at www.bergopro.com

Regional Offices:
Warehouse L12, Phase 1, Dubai Industrial City, Dubai, UAE
☎ +971 4 564 2460 (landline) / 📞 +971 56 539 2001 (Mobile)
info@bergopro.com
www.bergopro.com

For International Enquiries:
info@bergopro.co.uk
www.bergopro.co.uk

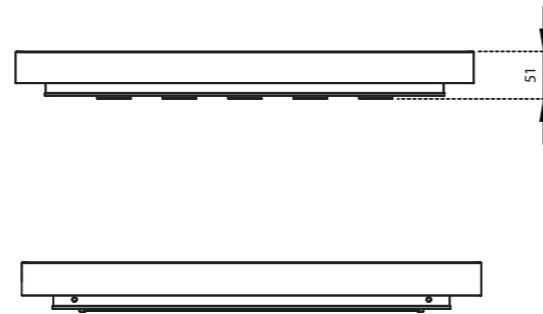
Table of Contents

Wardrobe Organisers	07
Trousers Rack-600 mm	09
Trousers Rack-900 mm	10
Jewelry Tray-600 mm	11
Wire Basket-600 mm	12
Wire Basket-900 mm	13
Shoe Rack-600 mm	14
Shoe Rack-900 mm	15
Trousers Hanger-Single	16
Mirror-Pull-out	17
Door Straightener	18
Safe Box-Fingerprint	19
Wardrobe Accessories	21
Wardrobe Rail-Oval	23
Wardrobe Rail-Oval	24
Wardrobe Lift-Pull Down Wardrobe Rail	25
Sink Liners	27
Sink Liners-Under the Sink	29

Wardrobe Organisers

- 09 Trousler Rack-600 mm
- 10 Trousler Rack-900 mm
- 11 Jewelry Tray-600 mm
- 12 Wire Basket-600 mm
- 13 Wire Basket-900 mm
- 14 Shoe Rack-600 mm
- 15 Shoe Rack-900 mm
- 16 Trousler Hanger-Single
- 17 Mirror-Pull-out
- 18 Door Straightener
- 19 Safe Box-Fingerprint

Elevate your wardrobe organization with our efficient SERVA trouser racks. These racks revolutionize wardrobe management by providing a space-saving solution for trousers, jeans, and scarves. Our racks offer practicality and ease of use, simplifying your daily routines.

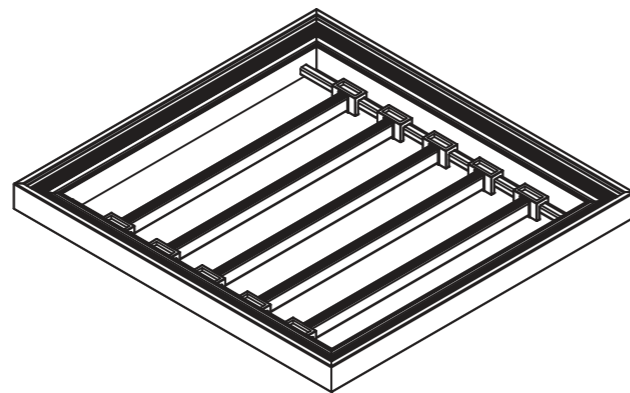
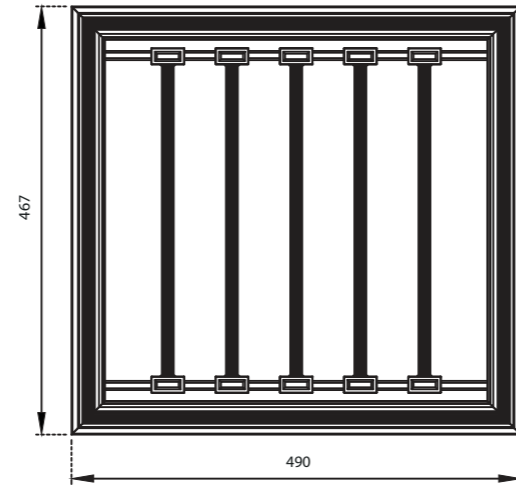


Description

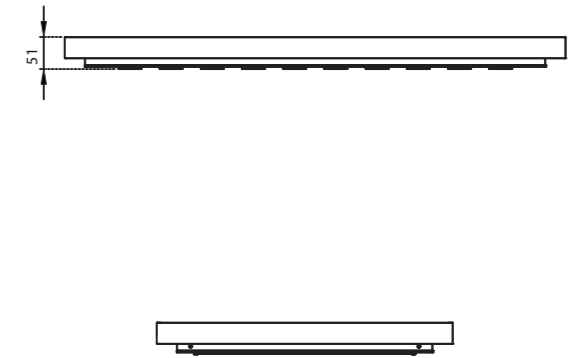
Overall size (WxDxH):	564 x 472 x 59 mm
Rack size (WxDxH):	490 x 467 x 51 mm
Cabinet width:	600 mm
Material:	Aluminium & PP plastic
Load capacity:	20 Kg

Item ID No.

Finish/Colour	Cat. No.
Anthracite	BG-900.12.360



Elevate your wardrobe organization with our efficient SERVA trouser racks. These racks revolutionize wardrobe management by providing a space-saving solution for trousers, jeans, and scarves. Our racks offer practicality and ease of use, simplifying your daily routines.

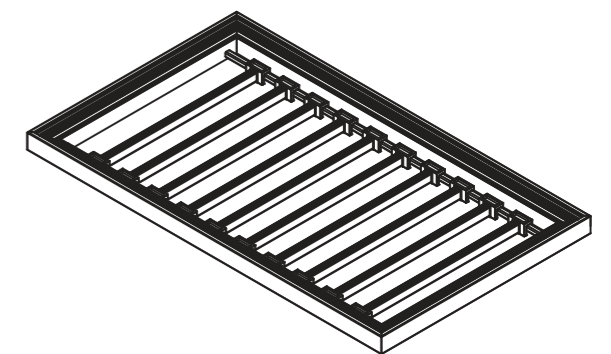
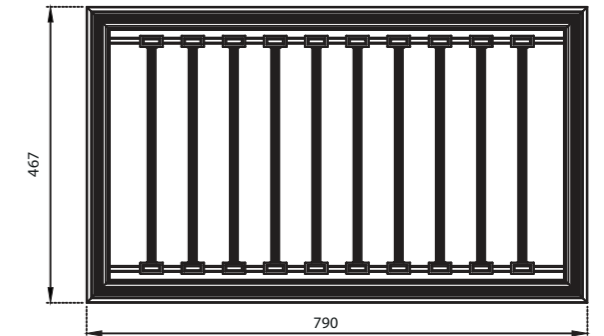


Description

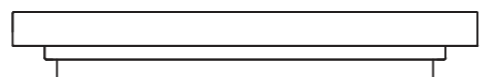
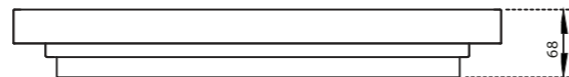
Overall size (WxDxH):	864 x 472 x 59 mm
Rack size (WxDxH):	790 x 467 x 51 mm
Cabinet width :	900 mm
Material:	Aluminium & PP plastic
Load capacity:	20 Kg

Item ID No.

Finish/Colour	Cat. No.
Anthracite	BG-900.12.361



The SERVA pull-out jewelry tray gently holds your jewelry collection in luxurious softness, keeping them organized and elegantly showcased. Add a touch of class and practicality to your dressing area with SERVA jewelry tray.

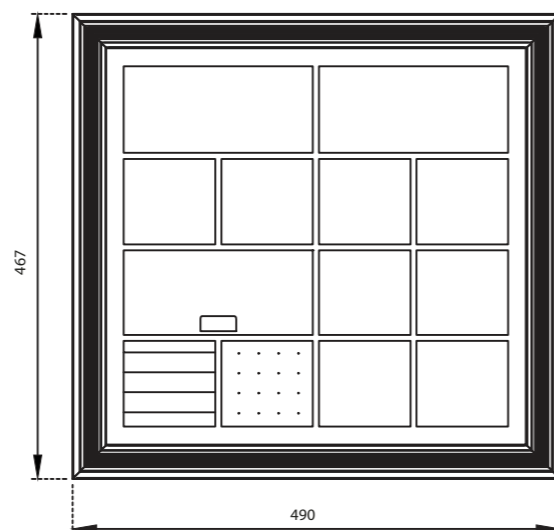


Description

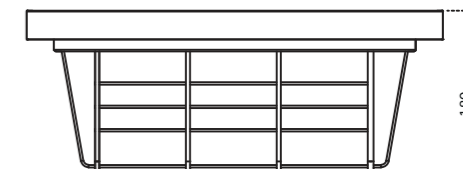
Overall size (WxDxH):	564 x 472 x 59 mm
Tray size (WxDxH):	490 x 467 x 68 mm
Cabinet width:	600 mm
Material:	Aluminium & PVC leather
Load capacity:	20 Kg

Item ID No.

Finish/Colour	Cat. No.
Anthracite	BG-901.12.360



Find the ideal storage solution for your wardrobe with SERVA wire baskets. These baskets are created to optimize space and organization, making it easy to store clothing, accessories, and other items neatly.

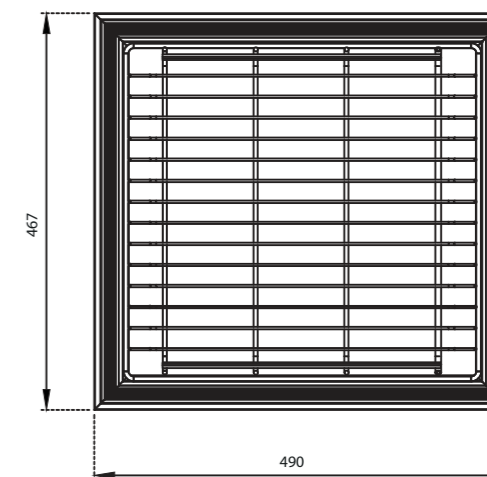
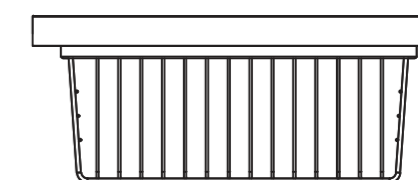


Description

Overall size (WxDxH):	564 x 472 x 197 mm
Basket size (WxDxH):	490 x 467 x 189 mm
Cabinet width:	600 mm
Material:	Aluminium & iron
Load capacity:	20 Kg

Item ID No.

Finish/Colour	Cat. No.
Anthracite	BG-902.12.360

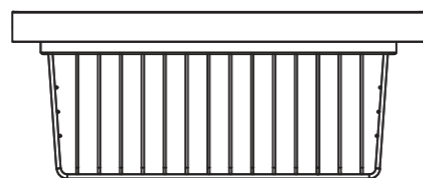


Find the ideal storage solution for your wardrobe with SERVA wire baskets. These baskets are created to optimize space and organization, making it easy to store clothing, accessories, and other items neatly.



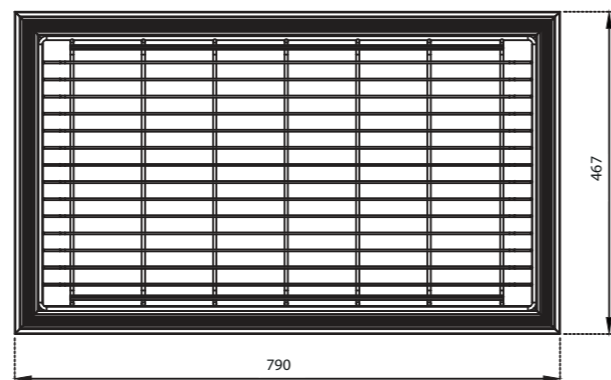
Description

Overall size (WxDxH):	864 x 472 x 197 mm
Basket size (WxDxH):	790 x 467 x 189 mm
Cabinet width:	900 mm
Material:	Aluminium & iron
Load capacity:	20 Kg

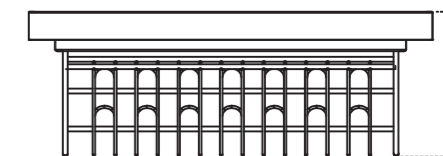


Item ID No.

Finish/Colour	Cat. No.
Anthracite	BG-902.12.361

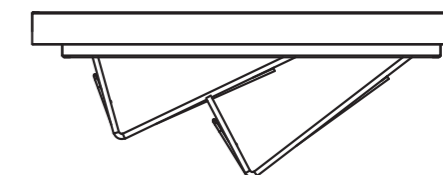


Maximize your wardrobe space and keep your shoe collection neatly organized. SERVA shoe racks are designed to optimize your storage and accessibility.



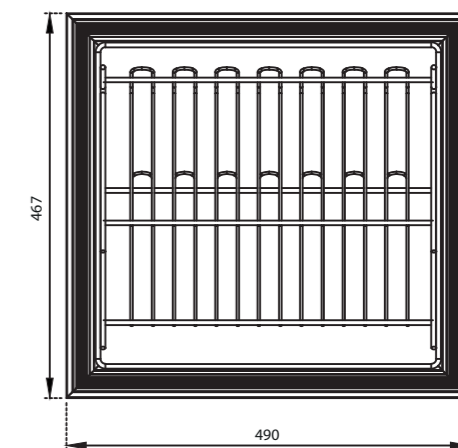
Description

Overall size (WxDxH):	564 x 472 x 197 mm
Basket size (WxDxH):	490 x 467 x 176 mm
Cabinet width:	600 mm
Material:	Aluminium & iron
Load capacity:	20 Kg

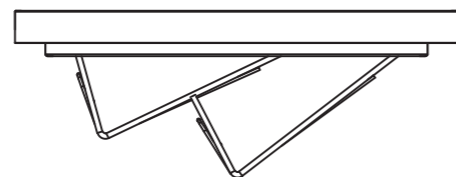
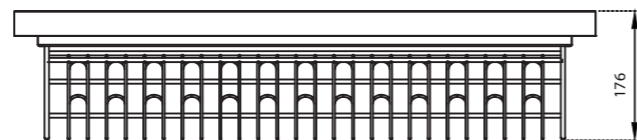


Item ID No.

Finish/Colour	Cat. No.
Anthracite	BG-903.12.360



Maximize your wardrobe space and keep your shoe collection neatly organized. SERVA shoe racks are designed to optimize your storage and accessibility.

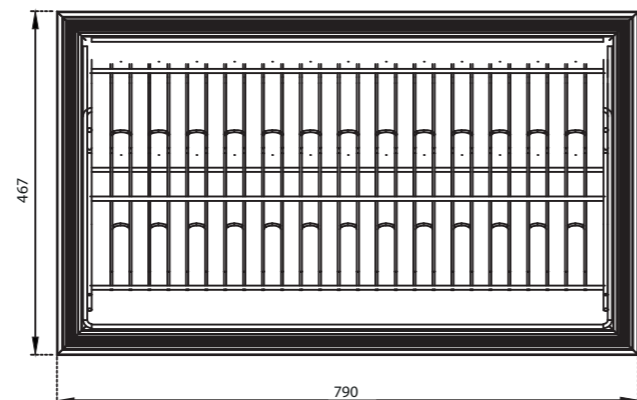


Description

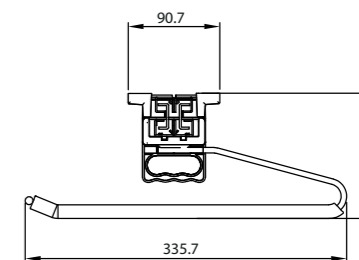
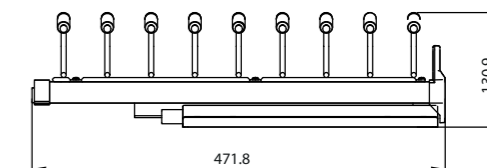
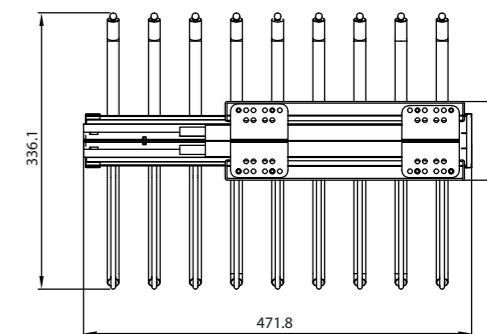
Overall size (WxDxH):	864 x 472 x 197 mm
Basket size (WxDxH):	790 x 467 x 176 mm
Cabinet width:	900 mm
Material:	Aluminium & iron
Load capacity:	20 Kg

Item ID No.

Finish/Colour	Cat. No.
Anthracite	BG-903.12.361



Elevate your wardrobe organization with our efficient SERVA trouser hanger. These hangers revolutionize wardrobe management by providing a space-saving solution for trousers, jeans, and scarves. Our hangers offer practicality and ease of use, simplifying your daily routines.

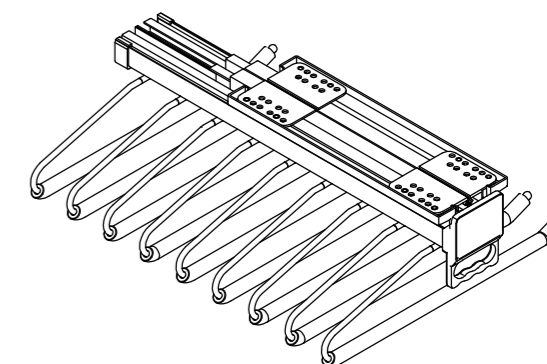


Description

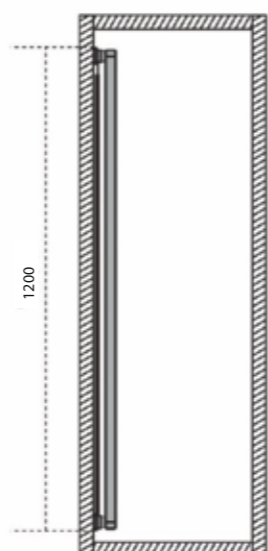
Overall size (WxDxH):	336 x 472 x 131 mm
Cabinet width:	Min 400mm
Material:	Aluminium & PVC leather & cotton
Load capacity:	20 Kg

Item ID No.

Finish/Colour	Cat. No.
Anthracite	BG-904.12.360



Upgrade your dressing area with the SERVA pull-out mirror, a versatile and functional addition to your wardrobe. This multi-functional mirror is crafted with precision and thoughtful design to enhance both functionality and style in your dressing space.

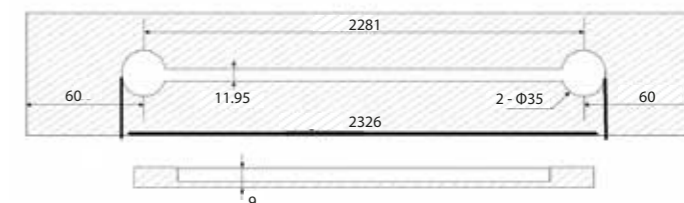


Description

Overall size (WxDxH):	46 x 350 x 1195 mm
Mirror size (WxDxH):	16 x 346 x 1194 mm
Material:	Min 400 mm
Load capacity:	Iron & glass

Item ID No.

Finish/Colour	Cat. No.
Black	BG-905.12.040



Description

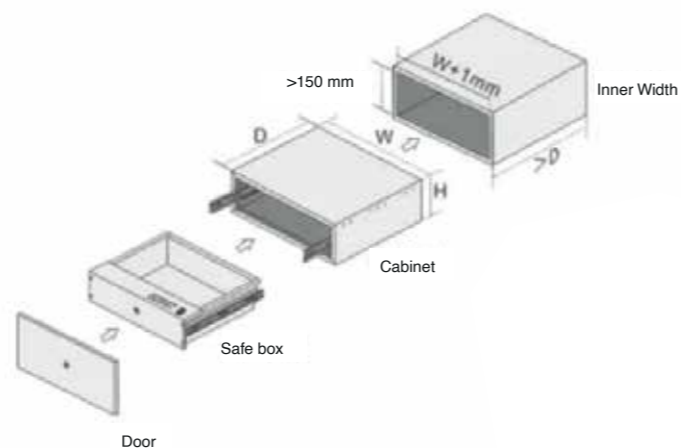
Length:	2300 mm
Material:	Aluminium & PP plastic

Item ID No.

Finish/Colour	Cat. No.
Anthracite	BG-906.12.360



Keep your valuables safe with the SERVA fingerprint safe box. These safes provide top-notch security for your important documents, cash, jewelry, and other precious items. The digital safe is accessible via Pin code or fingerprint for ease of use and practicality

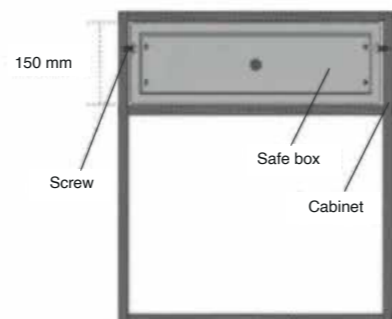


Description




Material: Iron & PVC leather

Item ID No.

Finish/Colour	Size (WxDxH) mm	Drawer size mm	Cat. No.
Black	564 x 400 x 150	600	BG-907.12.040
	764 x 400 x 150	800	BG-907.12.041



Wardrobe Accessories

- 23  Wardrobe Rail-Oval
- 24  Wardrobe Rail-Oval
- 25  Wardrobe Lift-Pull Down Wardrobe Rail

SERVA oval cross-section wardrobe rail tube combines superior beam strength with a slim profile.



Description

Material:	Iron
Dia.:	15 x 30 mm
Rail thickness:	1 mm

Item ID No.

Finish/Colour:	Cat. No.
Chrome	BG-800.01.070



SERVA oval cross-section wardrobe rail tube combines superior beam strength with a slim profile.



Description

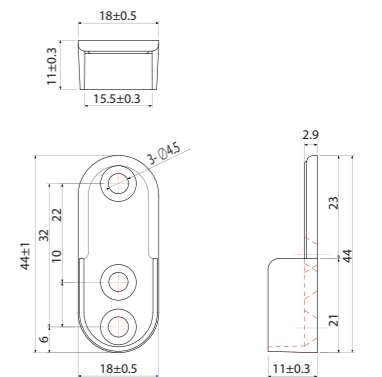
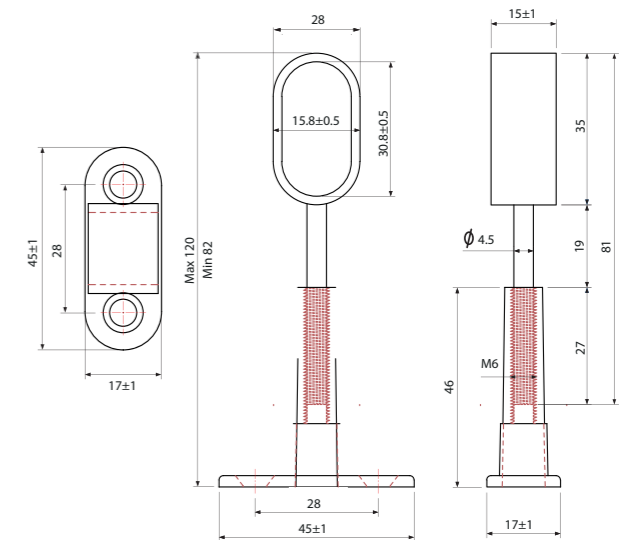
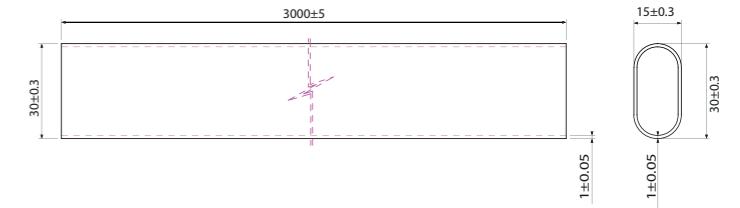
Material:	Iron
Dia.:	15 x 30 mm
Rail Thickness:	1 mm

Item ID No.

Finish/Colour	Cat. No.
Black	BG-800.13.040
Chrome	BG-800.13.070

Accessories

Items	Finish/Colour	Material	Cat.No
Center support	Black	Zinc alloy	BG-801.13.040
End support	Black	Zinc alloy	BG-802.13.040
Center support	Chrome	Zinc alloy	BG-801.13.070
End support	Chrome	Zinc alloy	BG-802.13.070



SERVA wardrobe lift allows you to easily lower and raise your clothes for convenient access and storage.

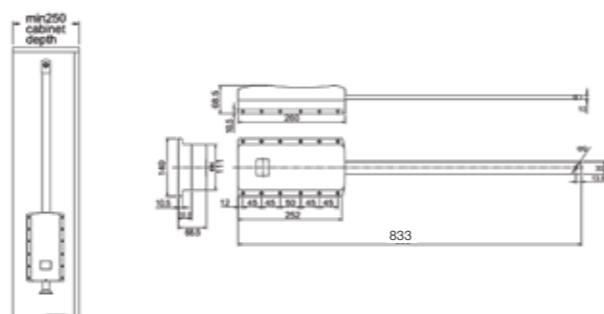
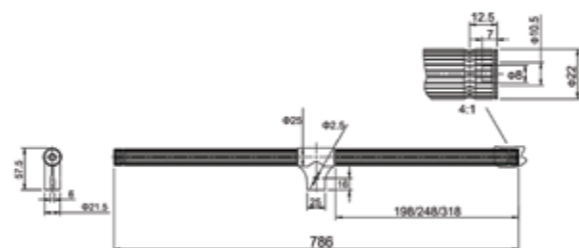
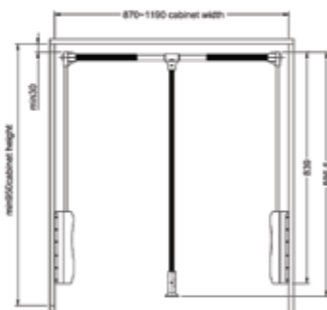
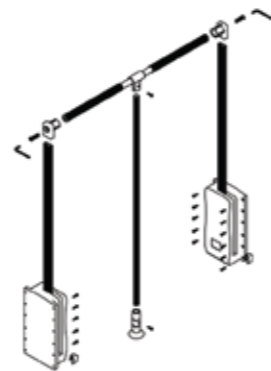


Description

Material:	Aluminum & ABS
Mechanism:	Soft close with hydraulic lifting system
Load capacity:	up to 10 kg
Cabinet size:	870 - 1190 mm
Screws:	M4*25

Item ID No.

Finish/Colour	Cat. No.
Black	BG-803.01.040
Anthracite	BG-803.01.360
Mocha	BG-803.01.370



Sink Liners

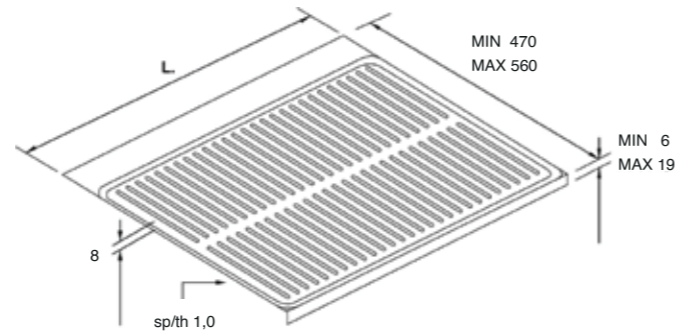
29

Sink Liners-Under the Sink



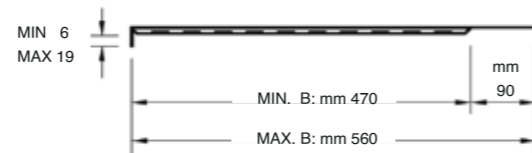
SERVA under-sink liners keeps your cabinet scratch-free and safe from water damage. They help maintain the appearance of cabinets and extend their lifespan.

Application



Description

Material:	Thermoplastic
Panel thickness:	18 mm
Specifications:	<ul style="list-style-type: none"> - Trimmable rear - Easy to clean - Shock-resistant - Unalterable over the time - Great retention of water leakage
Usage:	Under the sink



Item ID No.

Finish/Colour:	Depth mm	Length mm	Cat. No.
Grey	560	563	BG-550.02.030
		763	BG-550.02.031
		863	BG-550.02.032
		963	BG-550.02.033
		1163	BG-550.02.034



Get in touch **with us.**

Regional Offices:

Warehouse L12, Phase 1, Dubai Industrial City, Dubai, UAE
☎ +971 4 564 2460 (landline) / 📞 +971 56 539 2001 (Mobile)
info@bergopro.com
www.bergopro.com

For International Enquiries:

info@bergopro.co.uk
www.bergopro.co.uk

Photographs and images in the catalogue
will differ slightly to the actual items.

**For exact colours, grains,
and textures, kindly contact us for samples.**

BERGO® 