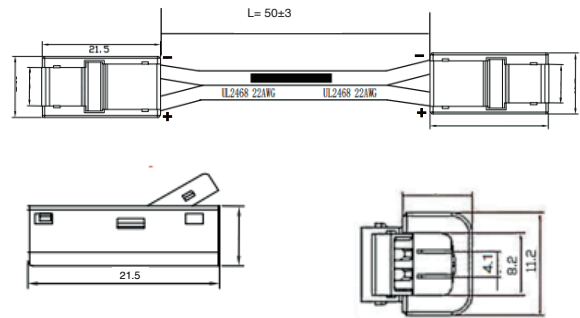


SOLAS inter-strip connector leads enable you to connect multiple LED strips.



Description

Connectors:	MA2P-8 & MA2P-8
Buckle width:	8 mm
Wire:	UL2468 22 AWG / 2 C
Wire length:	50 mm +/- 3 mm
UL certification no:	E506529
Input voltage:	12/24 V _{DC}
Input current:	3 A
Usage:	LED strips 841/842/843 optional

Item ID No.

Size:	Cat. No.
8 x 50 mm	BG-893.08.040