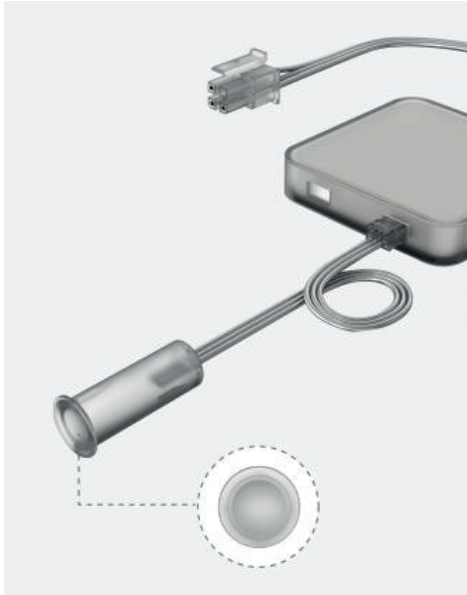


Solas is a soft dimmable touch sensor with a detachable control box. Simply touch and hold to dim the light, or tap to turn it on or off.



Environmental conditions

Operating temperature range: -10° C ~ +45° C

Storage temperature range: -20° C ~ +70° C

Operating Humidity: 5 ~ 95%

Electromagnetic certification

Item	Country	Certified status	Standards
CE	European Union	Accord	EN301 489

Description

Finish/colour:	Graphite
Input/Output voltage:	12/24 V _{DC}
Input/Output current:	5 mA
PWM frequency:	1 KHz
Soft on/off:	3s +/- 10%
Sensor wire length:	1000 mm +/- 20 mm
Control box wire length:	1500 mm +/- 20 mm
Usage:	6-Way Switched Driver code BG-873.08.XX.04 required

NB: 1 control box with 2 sensors

Item ID No.

Item	Cat. No.
Touch Dimmable On/Off Sensor	BG-856.08.130

