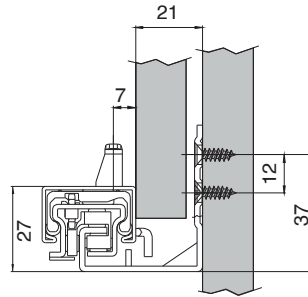
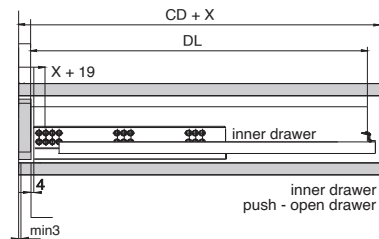
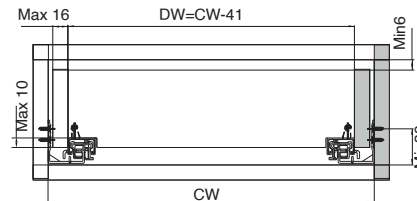


Full-extension 2D drawer slides with soft-closing and synchronized mechanism, supporting a load-bearing capacity of up to 35 kg.

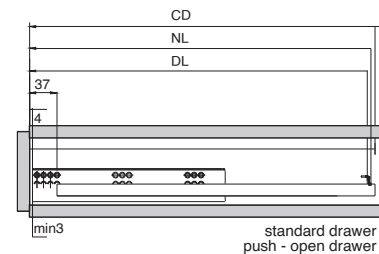
**Installation**



CW= Inside net width  
CD= Min cabinet depth  
DW= Drawer net width  
DL= Drawer Length  
NL= Nominal slide length



DL=NL-10  
CD=NL+5



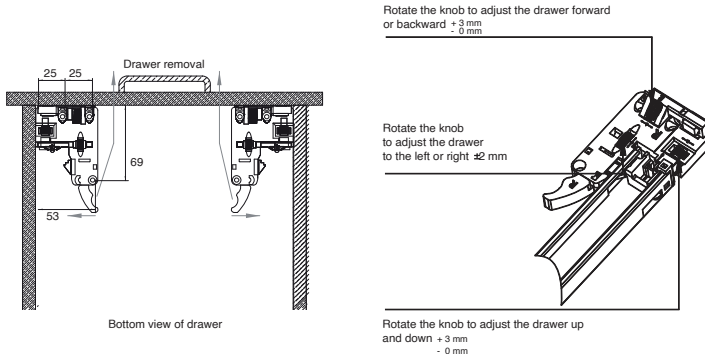
**Description**

<b>Material:</b>	Steel
<b>Usage:</b>	Drawers, concealed undermount
<b>Panel thickness:</b>	16 mm
<b>Mechanism:</b>	Soft close, synchronized
<b>Type of pull out:</b>	Full extension
<b>Type of the lock:</b>	2D

**Item ID No.**

Finish/Colour	Installation length L mm	Extension length AL mm	Load bearing capacity kg	Cat. No.
Galvanized	250	185	up to 30	BG-412.14.167
	300	290	up to 30	BG-412.14.160
	350	340	up to 35	BG-412.14.161
	400	390	up to 35	BG-412.14.162
	450	440	up to 35	BG-412.14.163
	500	490	up to 35	BG-412.14.164
	550	540	up to 35	BG-412.14.165
	600	590	up to 35	BG-412.14.166

**Locking Device**



**Drilling Pattern**

