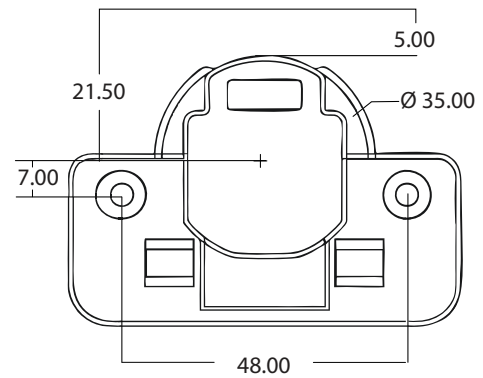


110° 3D-adjustable hinges and mounting plate. Full overlay mounting



This mounting plate should be secured in place by an additional screw after the final adjustment is complete.

Description

Material:	Cold-rolled steel
Load rating:	Max 5Kg/Pair
Hinge cup dia.:	35 mm
Drilling depth:	11.5 mm
Door thickness:	14-21 mm
Door dims:	3-7 mm
Adjustment facility:	Side ± 1.9-2 mm Height ± 1.9-2 mm (via mounting plate) Depth from -1 to +3 mm
Accessories:	Arm cover cap & cup cover cap

Item ID No.

Finish/Colour	Type	Cat. No.
Nickel plated	Full overlay	BG-329.09.050C

