

SOLAS double-door IR In-line switch with a detachable control box for double cabinet doors.



**Description**

<b>Finish/colour:</b>	Graphite
<b>Size:</b>	39 x 39 x 8 mm
<b>Input/Output voltage:</b>	12/24 V <sub>dc</sub>
<b>Input/Output current:</b>	5 mA
<b>PWM frequency:</b>	1 KHz
<b>Sensor wire length:</b>	1000 mm +/- 20 mm
<b>Control box wire length:</b>	1500 mm +/- 20 mm
<b>Usage:</b>	Switched drivers 873/874/876/877/878 required

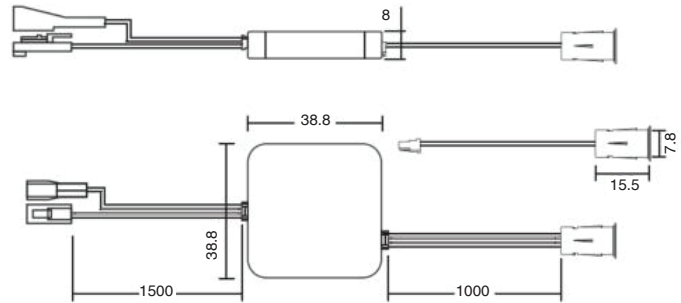
NB: 1 control box with 2 sensors

**Environmental conditions**

<b>Operating temperature range:</b>	-10° C ~ +45° C
<b>Storage temperature range:</b>	-20° C ~ +70° C
<b>Operating humidity:</b>	5 ~ 95%

**Electromagnetic certification**

Item	Country	Certified status	Standards
CE	European Union	Accord	EN301 489



**Item ID No.**

Finish/Colour	Cat. No.
Graphite	BG-865.08.130

