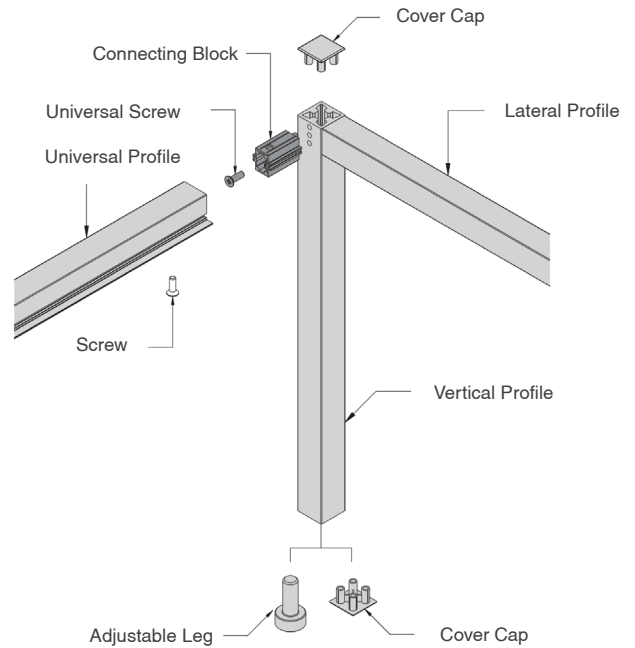


The modular shelving profiles can transform the look of your furniture while providing strong, stable, and functional support. These profiles and their accessories allow you to create open shelves using glass or wood, adding an elegant touch with their smooth and flawless design.



Components



Description

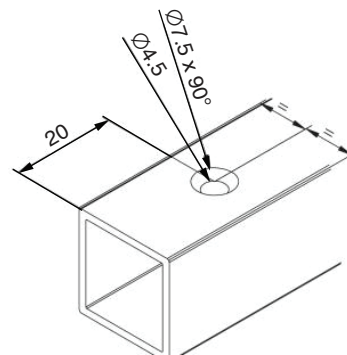
Material: Aluminium

Item ID No.

Item	Finish/Colour	Length mm	Cat. No.
Vertical profile	Graphite	2670	BG-200.02.130
	Dark bronze	2670	BG-200.02.180
Lateral profile	Graphite	2670	BG-201.02.130
	Dark bronze	2670	BG-201.02.180
Universal profile	Graphite	2670	BG-202.02.130
	Dark bronze	2670	BG-202.02.180

Drilling Details

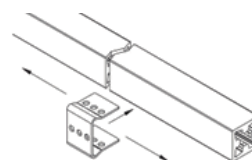
For Lateral and Universal Profile



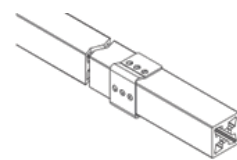
To be ordered separately

Items	Finish/Colour	Cat. No.
Connecting block	Zinc plated	BG-205.02.270
Drilling template	Nickel plated	BG-208.02.250
Universal screw	Darkened	BG-206.02.040
	Nickel plated	BG-206.02.050
Adjustable leg	Nickel plated	BG-207.02.050
End cover caps	Graphite	BG-203.02.130
	Dark bronze	BG-203.02.180
Rubber gasket		BG-204.02.010

For Vertical Profile



Step 1 : Position the template on the profiles



Step 2 : Mark the holes, remove the template, drill the profile.